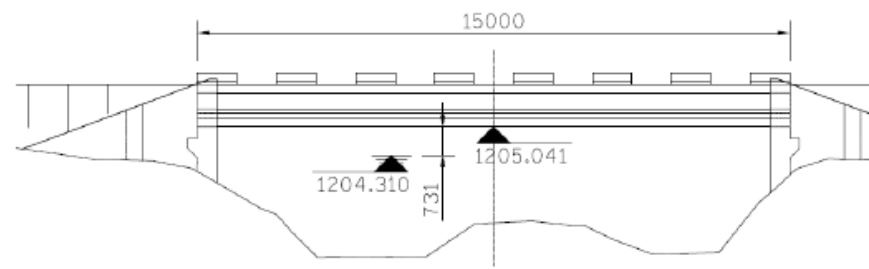
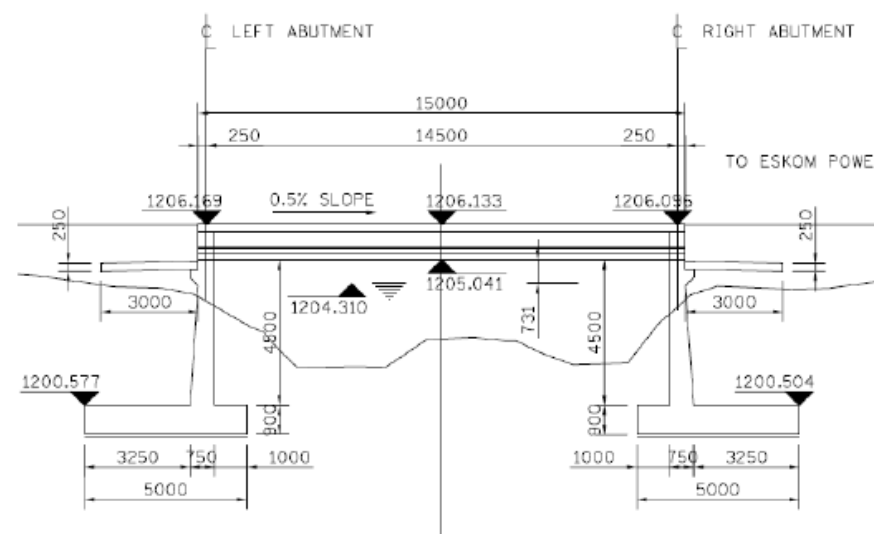


TYPICAL BRIDGE CROSS SECTION  
SCALE 1:50



ELEVATION  
SCALE 1:100



LONGITUDINAL SECTION ON CENTRE LINE OF BRIDGE  
SCALE 1:100