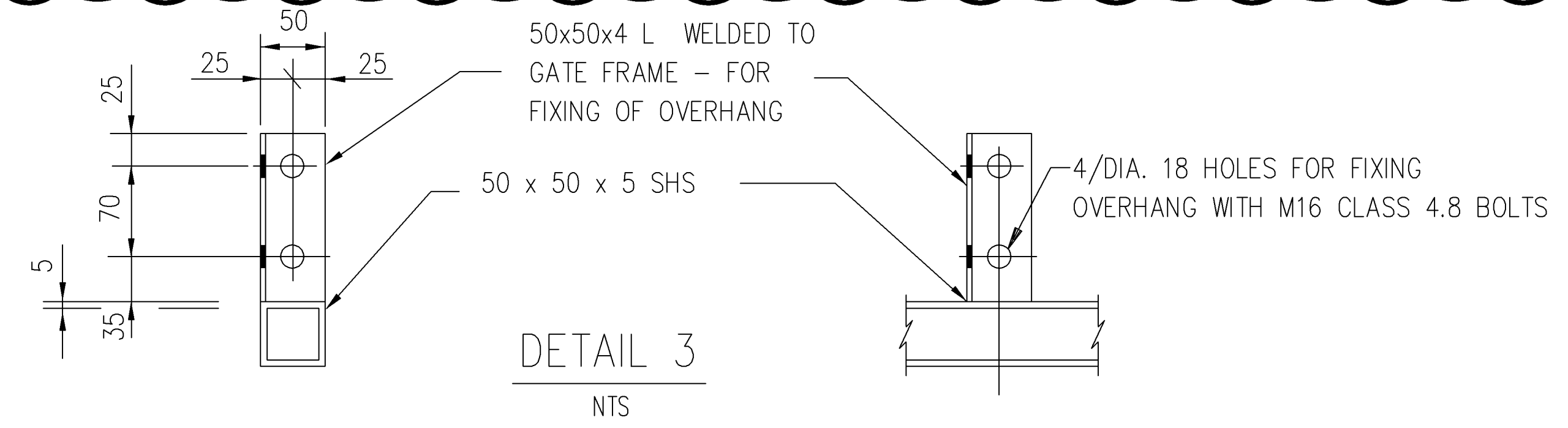
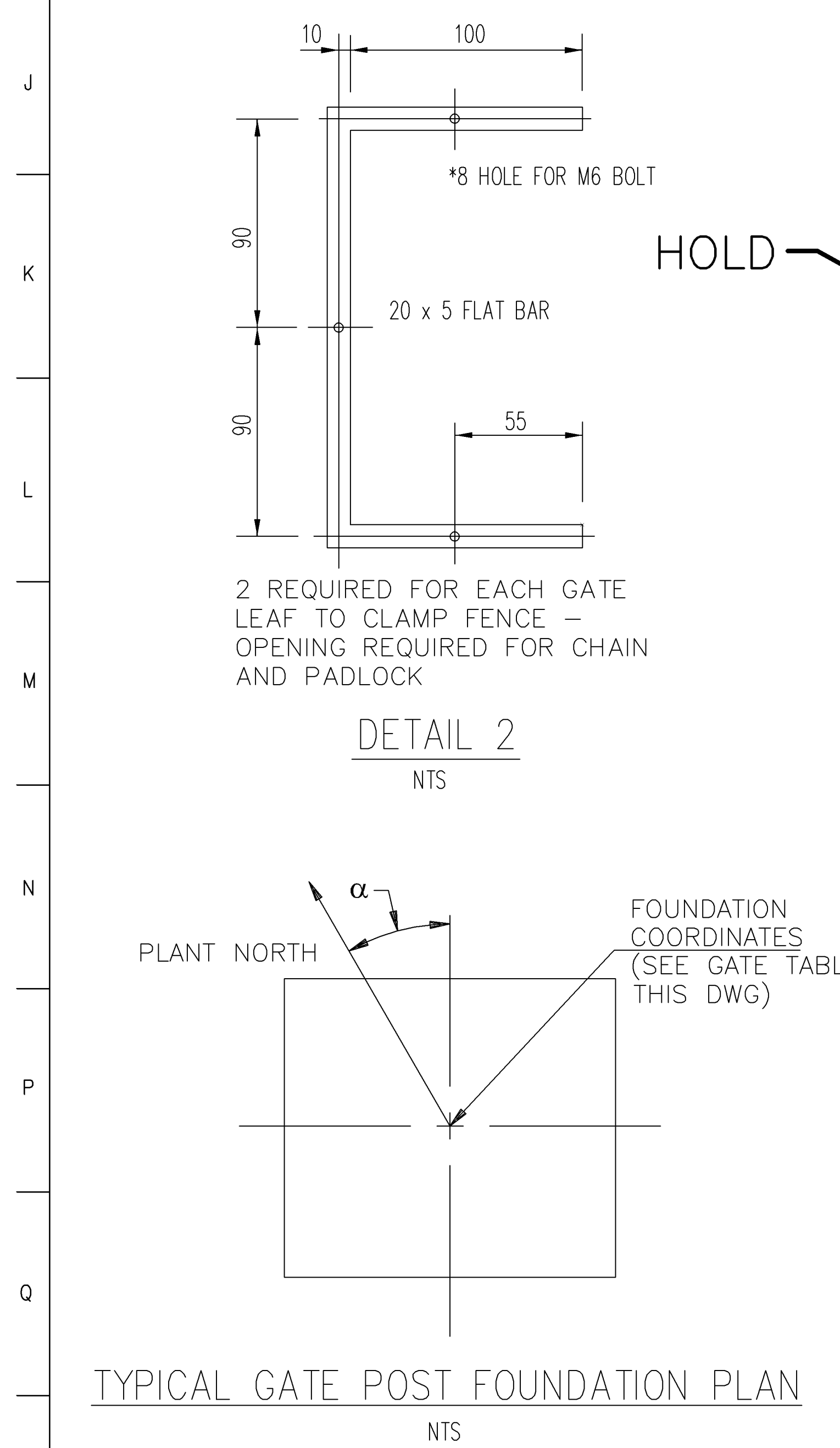


SECTION 4 - GATE HINGE

NOTES

- THIS DRAWING IS TO BE READ IN CONJUNCTION WITH ALL RELEVANT SECURITY FENCE DRAWINGS.
- FOR SINGLE SWING GATE DETAILS SEE DWG S3916G.
- COMPLETE GATE AND ALL STEEL TO BE HOT DIPPED GALVANISED TO SANS 121 *6mm DRAINHOLES AT 300mm CENTRES TO BE DRILLED TO BOTTOM OF ALL GATES BEFORE GALVANISING.
- ALL STEEL TO BE GRADE 300WA. UNO
- FENCE CONTRACTOR TO SUPPLY ALL GALVANISED NUTS, BOLTS, WASHERS etc. REQUIRED.
- UNO. ALL WELDING FOR CONNECTIONS ETC. TO BE EITHER 5mm CONTINUOUS FILLET OR FULL PENETRATION GROUND FLUSH AS APPLIES AND CARRIED OUT IN THE WORKSHOP BEFORE GALVANISING.
- GATE CLADDING TO BE 50x50x3,15mm MESH FULLY GALVANISED CLASS 'A' SECURED TO FRAME WITH STAINLESS STEEL STRAPPING EVERY 150mm.
- REINFORCED CONCRETE SHOWN ON DRAWINGS S3916-S3916J SHALL HAVE A MINIMUM 28 DAY COMPRESSIVE STRENGTH (fcu) OF 35 MPa AND MINIMUM AGGREGATE SIZE OF 19MM UNO.
- SEE DWGS S6950 THRU S6955 FOR GENERAL STEEL NOTES, LEGEND, AND TYPICAL DETAILS.
- SEE DWG S5960 FOR TYPICAL ANCHOR BOLT DETAILS.
- SEE DWG OUJZ-E2520 FOR ELECTRICAL EARTHING INFORMATION.
- SEE S3300 SERIES DWGS FOR UNDERGROUND UTILITIES.
- GATES SHALL BE CONSTRUCTED SO THAT GATE KEEP BOLTS ARE ALWAYS ON THE STATION SIDE OF THE FENCE.
- PROVIDE 60 SQUARE X 16 THICK PLATE WASHERS FOR M20 HOLD DOWN BOLTS AND 75 SQUARE X 20 THICK PLATE WASHERS FOR M24 HOLD DOWN BOLTS.

GATE NO.	GATE TABLE				GATE POST FOUNDATION			GATE POST FOUNDATION			GATE KEEP FOUNDATION LOCATION		CONTRACT	REMARKS		
	A	B	PLAN DWG. NO.	TOC FOUNDATION	FOUNDATION TYPE	FOUNDATION COORDINATES		α	FOUNDATION TYPE	FOUNDATION COORDINATES		α				
						NORTH	EAST			NORTH	EAST					
1	9020	4230	S3203	1502.500	2C	10468.074	10454.569	0	2D	10468.074	10445.549	0	10468.074	10450.059	71.0201.38	SEE S3916H FOR GATE POST FOUNDATION DETAILS
2	9020	4230	S3203	1502.500	2A	10458.074	10454.569	0	2B	10458.074	10445.549	0	10458.074	10450.059	71.0201.38	SEE S3916H FOR GATE POST FOUNDATION DETAILS
3	13020	6230	S3203	1502.500	1C	10467.685	10403.038	0	1D	10437.685	10390.018	0	10467.685	10396.528	71.0201.38	SEE S3916H FOR GATE POST FOUNDATION DETAILS
4	13020	6230	S3203	1502.500	1A	10457.685	10403.038	0	1B	10457.685	10390.018	0	10457.685	10396.528	71.0201.38	SEE S3916H FOR GATE POST FOUNDATION DETAILS
5	13020	6230	S3201	1479.000	1C	10607.169	9043.558	0	1D	10607.169	9030.538	0	10607.170	9037.049	71.0203	SEE S3916H FOR GATE POST FOUNDATION DETAILS
6	13020	6230	S3201	1479.000	1A	10597.168	9043.558	0	1B	10597.168	9030.538	0	10597.170	9037.049	71.0203	SEE S3916H FOR GATE POST FOUNDATION DETAILS
7	9020	4230	S3201	1475.340	2C	9888.990	8917.788	0	2D	9879.970	8917.788	0	9884.480	8917.788	71.0203	SEE S3916H FOR GATE POST FOUNDATION DETAILS
8	9020	4230	S3201	1475.740	2A	9888.990	8927.788	0	2B	9879.970	8927.788	0	9884.480	8927.788	71.0203	SEE S3916H FOR GATE POST FOUNDATION DETAILS
9	9020	4230	S3206	1509.725	2C	9009.281	10171.496	0	2D	9018.301	10171.496	0	9013.791	10171.496	71.0201.38	SEE S3916H FOR GATE POST FOUNDATION DETAILS
10	-	-	-	-	-	-	-	-	-	-	-	-	-	-	-	NOT USED
15	8020	3730	S3210	1537.035	2C	8384.347	10722.623	0	2D	8376.327	10722.623	0	8380.338	10722.624	71.0201.38	SEE S3916H FOR GATE POST FOUNDATION DETAILS
16	8020	3730	S3211	1553.500	2C	8306.614	11186.321	35.7	2D	8300.102	11191.002	35.7	8303.359	11188.662	71.0201.38	SEE S3916H FOR GATE POST FOUNDATION DETAILS
17	13020	6230	S3208	1529.535	1A	9162.845	11493.957	78.3	1B	9175.594	11491.316	78.3	9169.219	11492.637	71.0201.38	SEE S3916H FOR GATE POST FOUNDATION DETAILS
18	13020	6230	S3208	1529.535	1C	9164.383	11503.761	78.3	1D	9177.134	11501.127	78.3	9170.758	11502.444	71.0201.38	SEE S3916H FOR GATE POST FOUNDATION DETAILS



MARK NO.	TYPE	DIA (MM)	OVERALL LENGTH	THREAD (MM)	PROJ (MM)	PLATE			STEEL SLEEVE		NO. BOLTS	NO. ASSY	MATL TYP	PL WASHER REQD (Y/N)	REMARKS
						T	W	L	DIA	LENGTH					
3916-01	1	24	700	130	125	-	-	-	-	-	120	-	S235 JR MIN	Y (NOTE 13)	PROVIDE ADDITIONAL NUT FOR LEVELING
3916-02	1	20	475	105	100	-	-	-	-	-	8	-	S235 JR MIN	Y (NOTE 13)	PROVIDE ADDITIONAL NUT FOR LEVELING

BACKCIRCLES PER ECN-N-S-0425
APPROVED FOR CONSTRUCTION

NO.	DATE	BY	CHKD	REVISED	DATE	REVISIONS
3	03/01/12	JMK	DNS	JWF	MDC	REVISIONS PER ECN-N-S-0425
2	05/01/12	JMK	DNS	JWF	MDC	REVISIONS PER ECN-N-S-0403
1	16/01/12	JMK	DNS	JWF	MDC	REVISIONS PER ECN-N-S-0338
0	05/07/08	DNS	MJS	DLS		ISSUE FOR CONSTRUCTION

KUSILE POWER STATION SECURITY FENCE DOUBLE SWING ACCESS GATE PLAN, ELEVATIONS AND DETAILS
 146838-0UYX-S3916
 0.90/706

06/07/19 ACAD 16:1s (LMS Tech)
 07/03/12 13:38:45