

2 HOLES *19 HOLES FOR M16 BOLTS FOR FIXING TO POST SEE DETAIL B

2/DIA. 18 HOLES FOR FIXING OF OVERHANG
THE TWO UPPER HOLES TO BE USED FOR THE STRAINING WIRES EYE BOLTS

*19 HOLES FOR STRUT SEE DETAIL A

20 HOLES DIA 12 FOR HOOK & EYE BOLTS

100x100x10 L

80x80x6 L

80x80x6 L

2 HOLES DIA 12 FOR FIXING TO POST

2/DIA. 18 HOLES FOR FIXING OF OVERHANG
THE TWO UPPER HOLES TO BE USED FOR THE STRAINING WIRES EYE BOLTS

*19 HOLES FOR M16 STRUT BOLTS

20 HOLES *12 FOR HOOK & EYE BOLTS

80x80x6 L

80x80x6 L

*17mm HOLE FOR EARTH CONNECTION

40x40x5x200LG L

80x80x6 L

40x40x5 L

60x60x6 L

5 HOLES DIA 8

60x60x6 L

*17 HOLE

40x40x5x150LG L

60x60x6 L

40x40x5 L

INTERMEDIATE POST

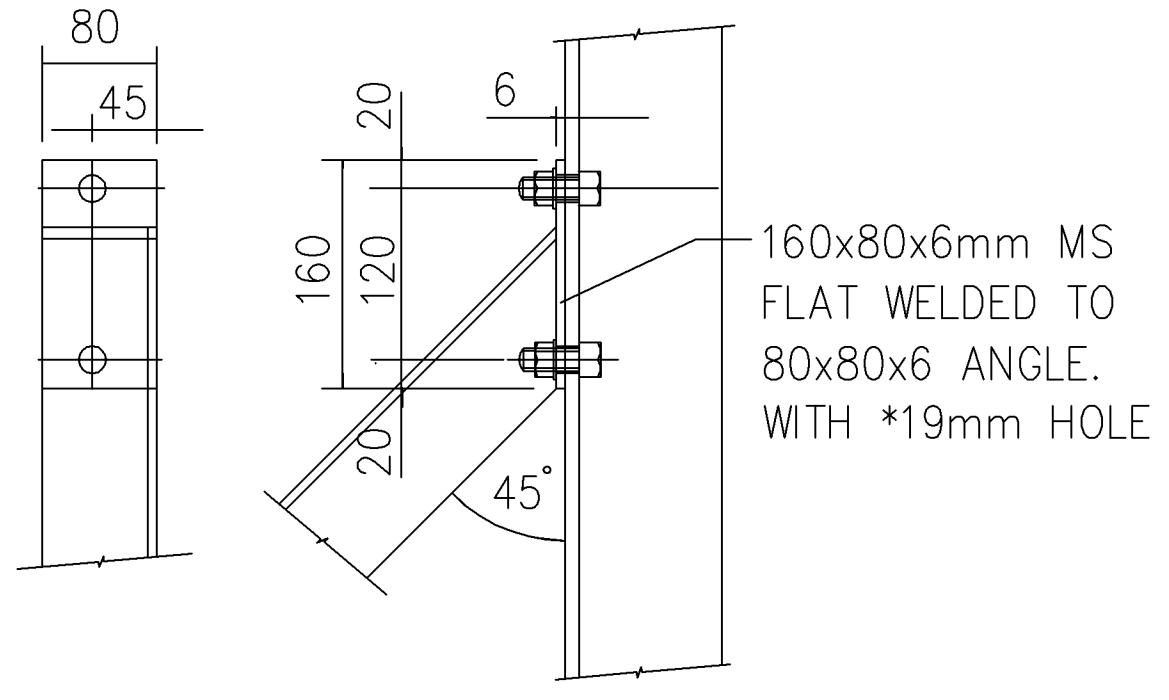
NTS

M10 EYE BOLT 100mm LONG SUPPLIED WITH 2 NUTS AND 1 WASHER

M10 HOOK BOLT 150mm LONG SUPPLIED WITH 2 NUTS AND 1 WASHER

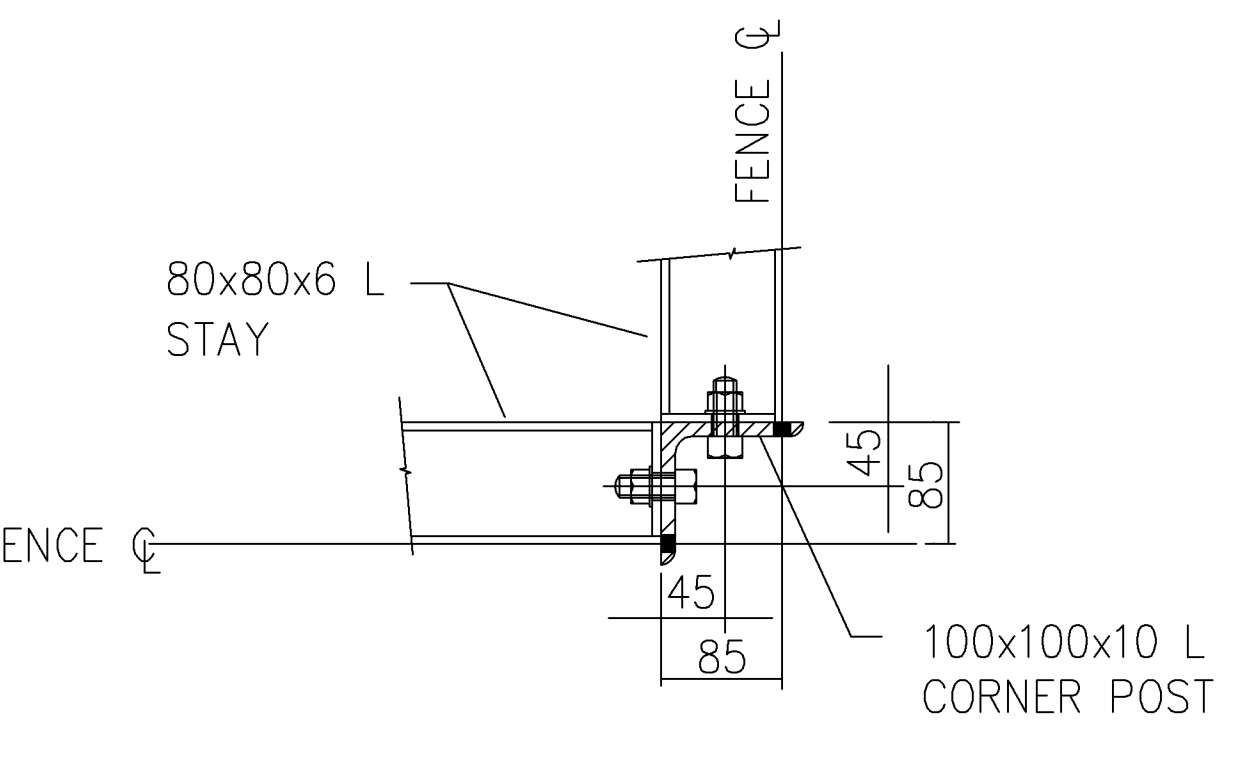
DETAIL A

NTS



DETAIL B

NTS



PLAN ON DETAIL A

NTS

NOTES:

- INTERMEDIATE POSTS SPACED 4.0m MAX.
- STRAIN POSTS SPACED MAX. 40.0m APART
- ALL POSTS, STRUTS, ANGLES, BOLTS, NUTS, STRAIN BOLTS, HOOKS, ETC TO BE HOT DIPPED GALVANISED AFTER FABRICATION TO SANS 121.
- WELD MESH BURIED 300mm INTO THE GROUND
- ALL GALVANIZING FOR BOLTS AND NUTS TO COMPLY WITH SANS 121.
- EYE BOLTS AND HOOK BOLTS TO BE ERECTED WITH MAX. PULL UP AVAILABLE FOR SUBSEQUENT TENSION OF SAGGED STRAIN WIRES.
- SEE DWG S3916F FOR INTERMEDIATE POSTS INSTALLED ON BRIDGE DECKS.

REVISIONS PER ECN-N-S-0338

APPROVED FOR CONSTRUCTION

THE DISTRIBUTION AND USE OF THE NATIVE FILE FORMAT OF THIS DRAWING OUTSIDE OF BLACK & VEATCH IS UNCONTROLLED AND SHALL BE USED FOR REFERENCE PURPOSES ONLY.

NO.	DATE	ISSUE FOR CONSTRUCTION	BY	CHECKED	DATE	REVISED	BY	DATE	REVISIONS
1	16/MAR/12	REV PER ECN-N-S-0338	MJK	DNS	JWF	MDC			
0	16/MAR/12	ISSUE FOR CONSTRUCTION	DNS	MJS	DLS				

KUSILE POWER STATION	
SECURITY FENCE	
DETAILS OF POSTS AND STRUTS	
146838-0UYX-S3916C	1
0.90/709	1

MDC: 16:1s (MS Tech)
 A:\P\0712\13:36:49
 03/15/12