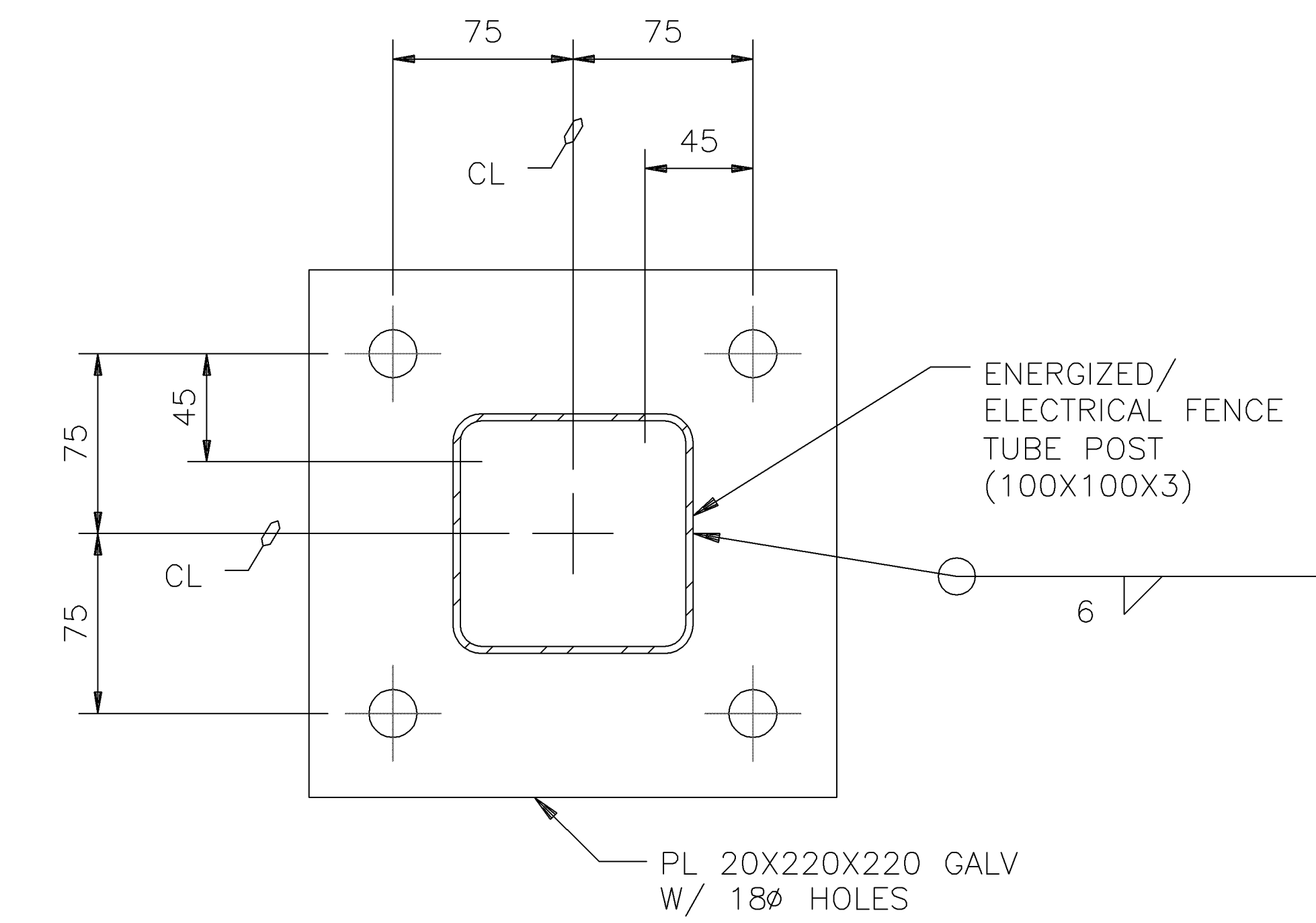
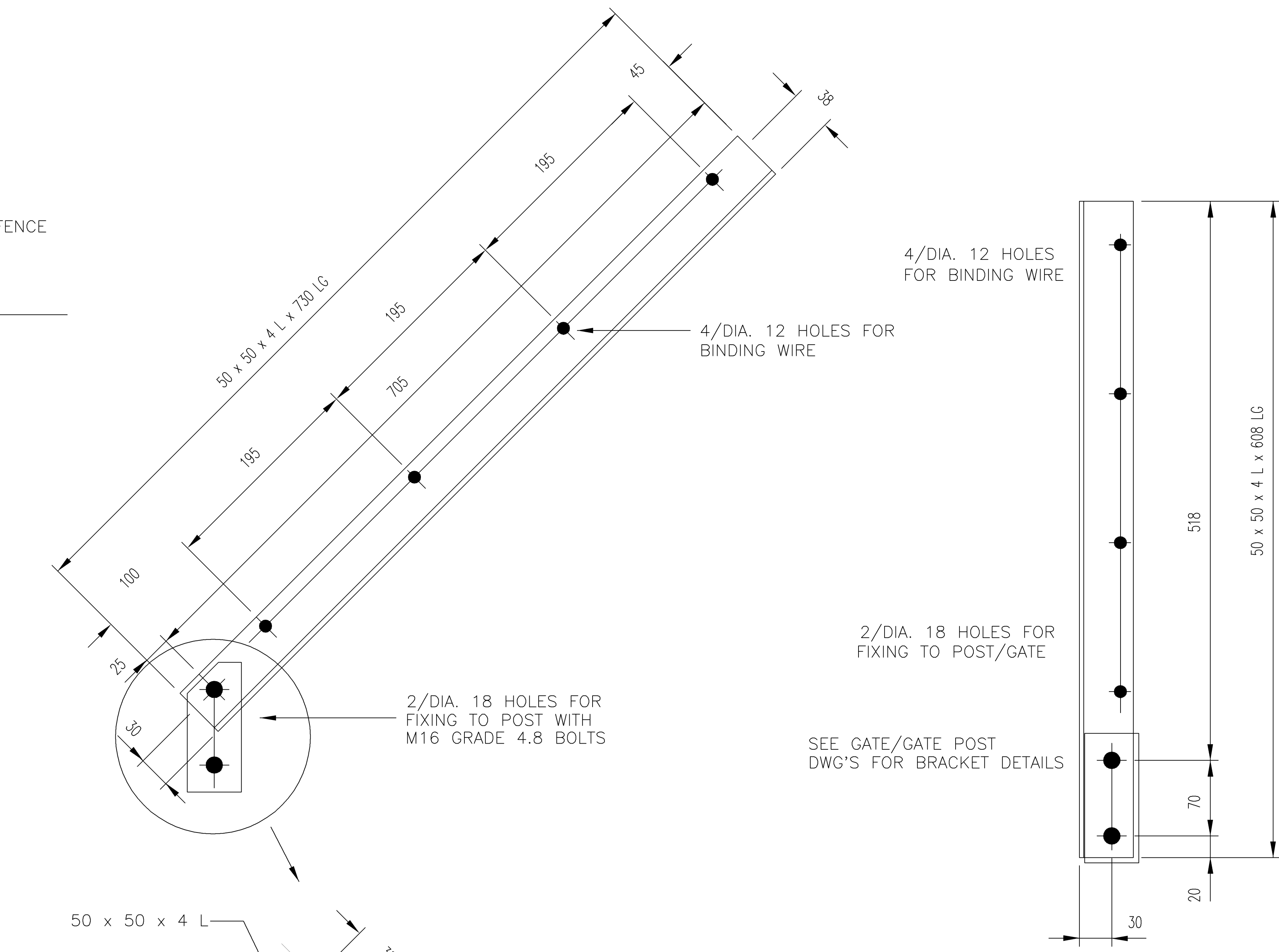


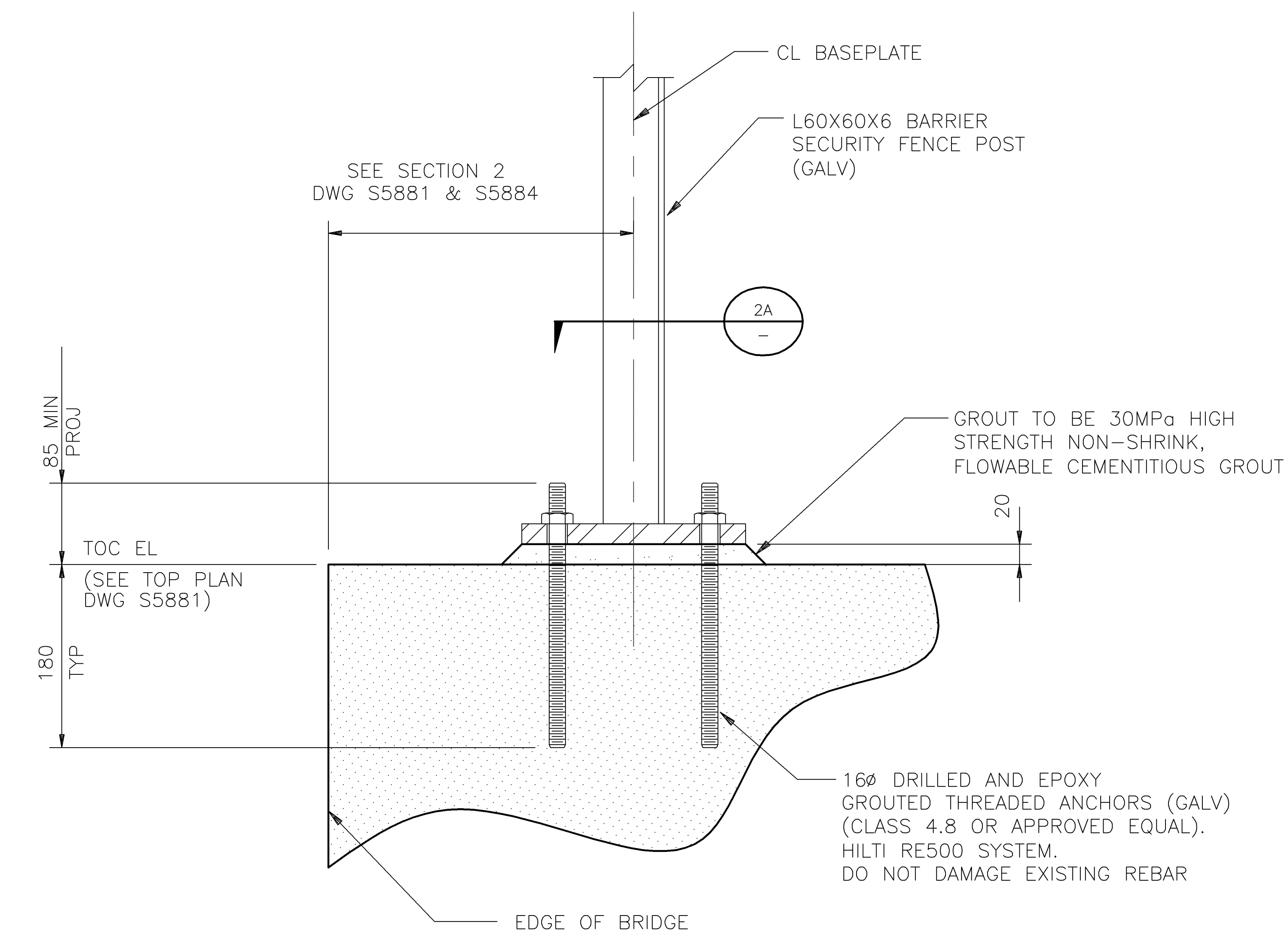
SECTION 1
ENERGIZED/ELECTRICAL FENCE POST ON BRIDGES
NTS



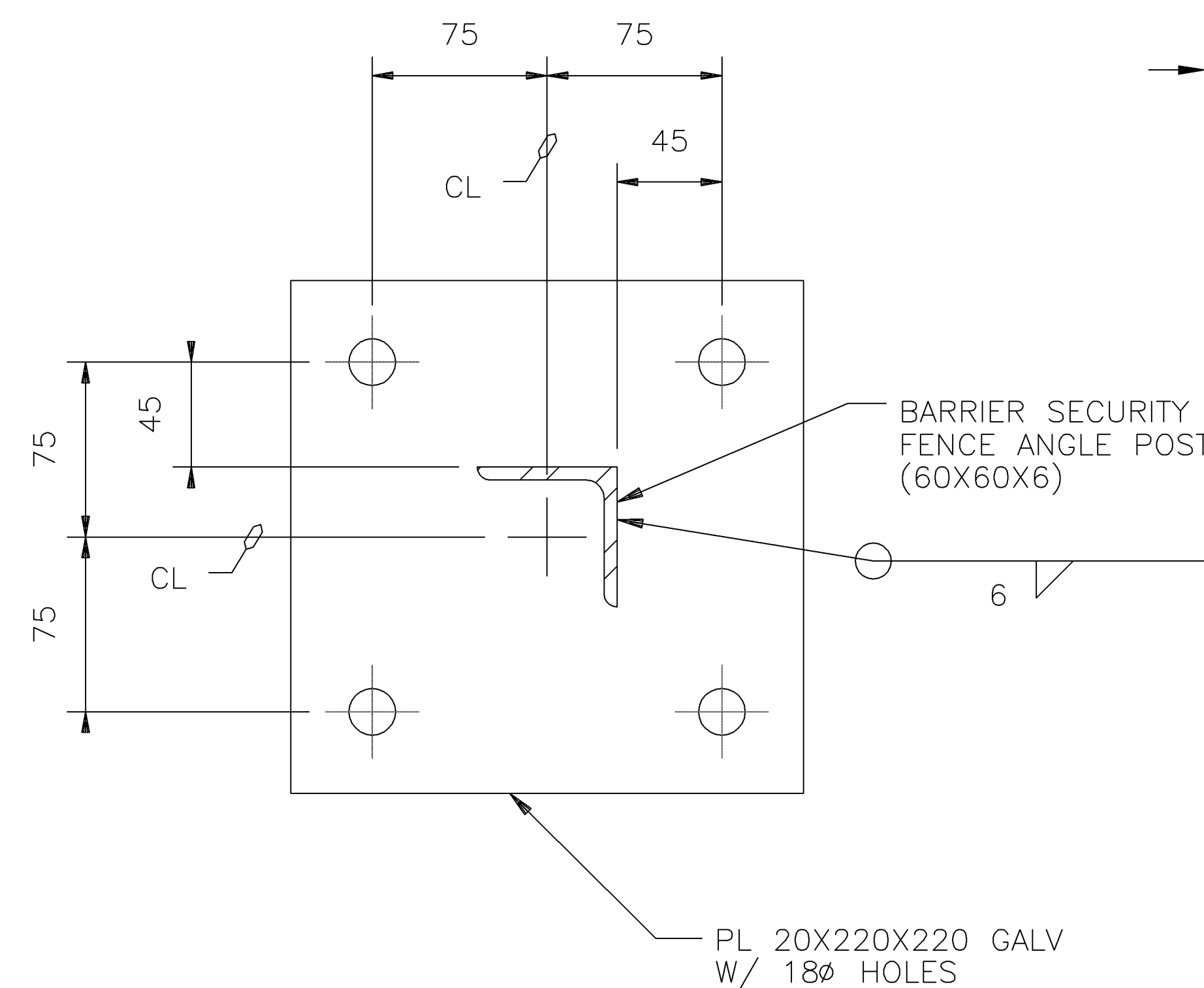
SECTION 1A
BASE DETAIL FOR ENERGIZED/ELECTRICAL
FENCE POSTS ON BRIDGES
NTS



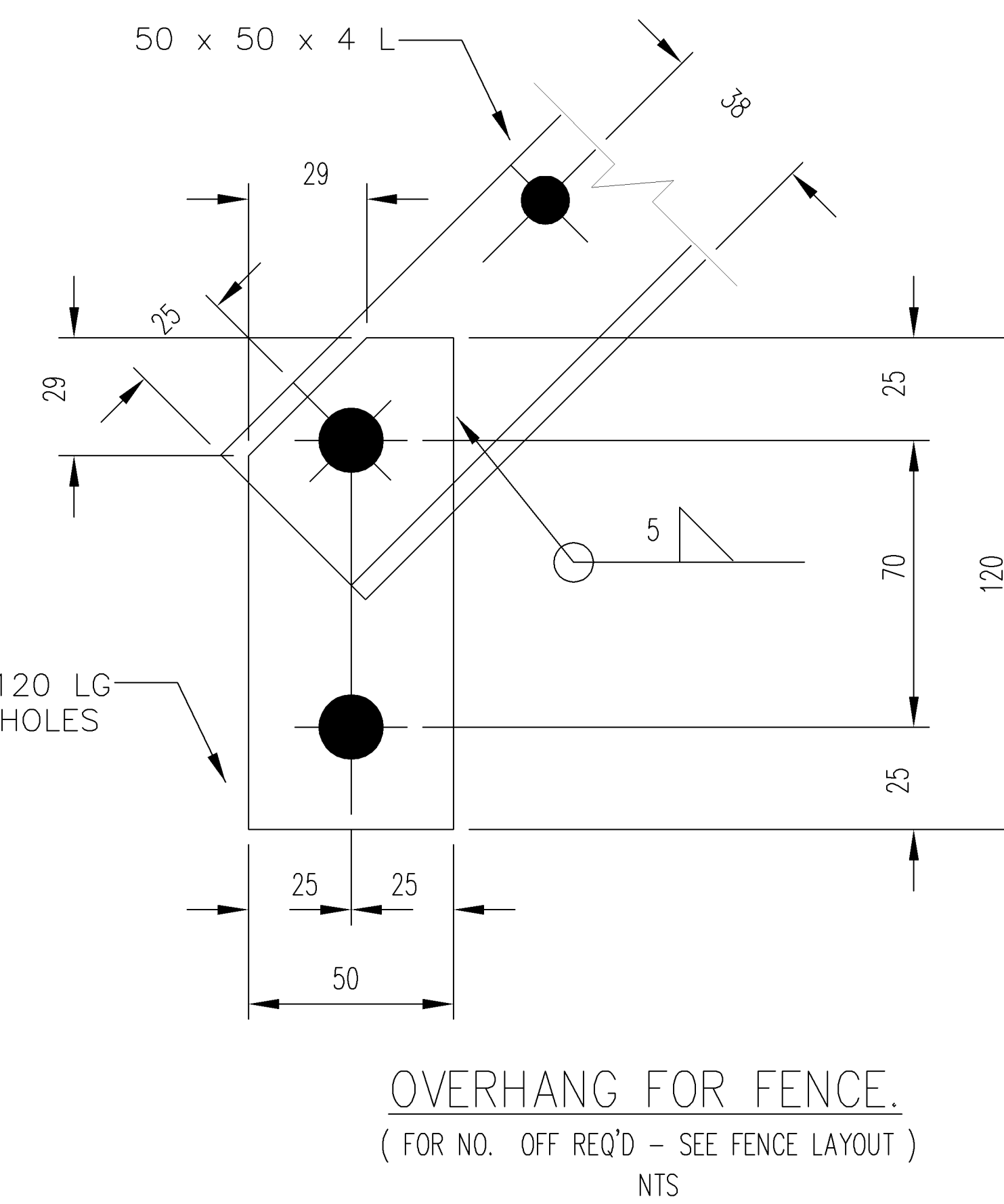
OVERHANG FOR GATE/GATE POSTS.
(10 OFF REQ'D PER GATE/GATE POSTS)
NTS



SECTION 2
BARRIER SECURITY FENCE POST ON BRIDGES
NTS



SECTION 2A
BASE DETAIL FOR BARRIER SECURITY FENCE
POSTS ON BRIDGES
NTS



OVERHANG FOR FENCE.
(FOR NO. OFF REQ'D - SEE FENCE LAYOUT)
NTS

- NOTES:
- 1.) ALL BOLTS, NUTS, WASHERS ETC. REQUIRED FOR ERECTION TO BE SUPPLIED BY THE CONTRACTOR.
 - 2.) ALL STEEL TO BE GRADE 300WA, HOT DIPPED GALVANISED TO SANS 121.
 - 3.) ANY DAMAGE TO THE GALVANISED SURFACES SHALL BE REPAIRED WITH AN APPROVED ZINC-METAL SPRAY OR INORGANIC ZINC-RICH PAINT COMPLYING WITH SANS 935. APPLICATION TO SUPPLIERS SPECIFICATIONS.

EXTENSIVE REVISIONS
PER ECN-N-S-0338

APPROVED FOR
CONSTRUCTION

REV	DATE	BY	CHKD	APPD	DESCRIPTION
1	16/MAR/12	JKN	DNS	JWF	REV PER ECN-N-S-0338
0	16/MAR/12	JKN	DNS	MJS	ISSUE FOR CONSTRUCTION
KUSILE POWER STATION SECURITY FENCE WITH OVERHANG OVERHANG BRACKETS LAYOUT AND DETAILS 146838-0UYX-S3916F 0.90/712					

MCE5884
 ACAD 16:1s (LMS Tech)
 A:\P\0712\13-057
 03/15/12 13:56:57