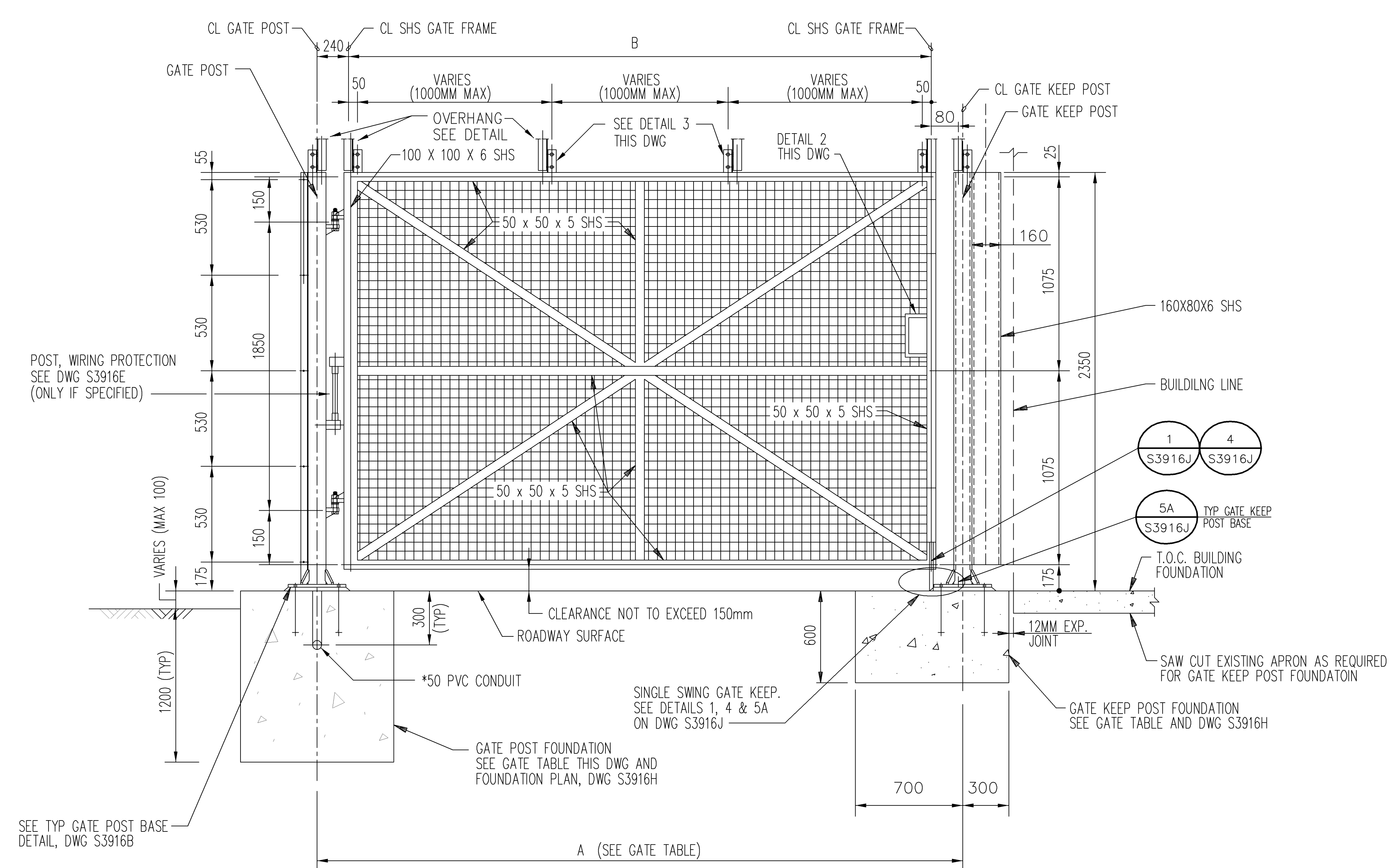
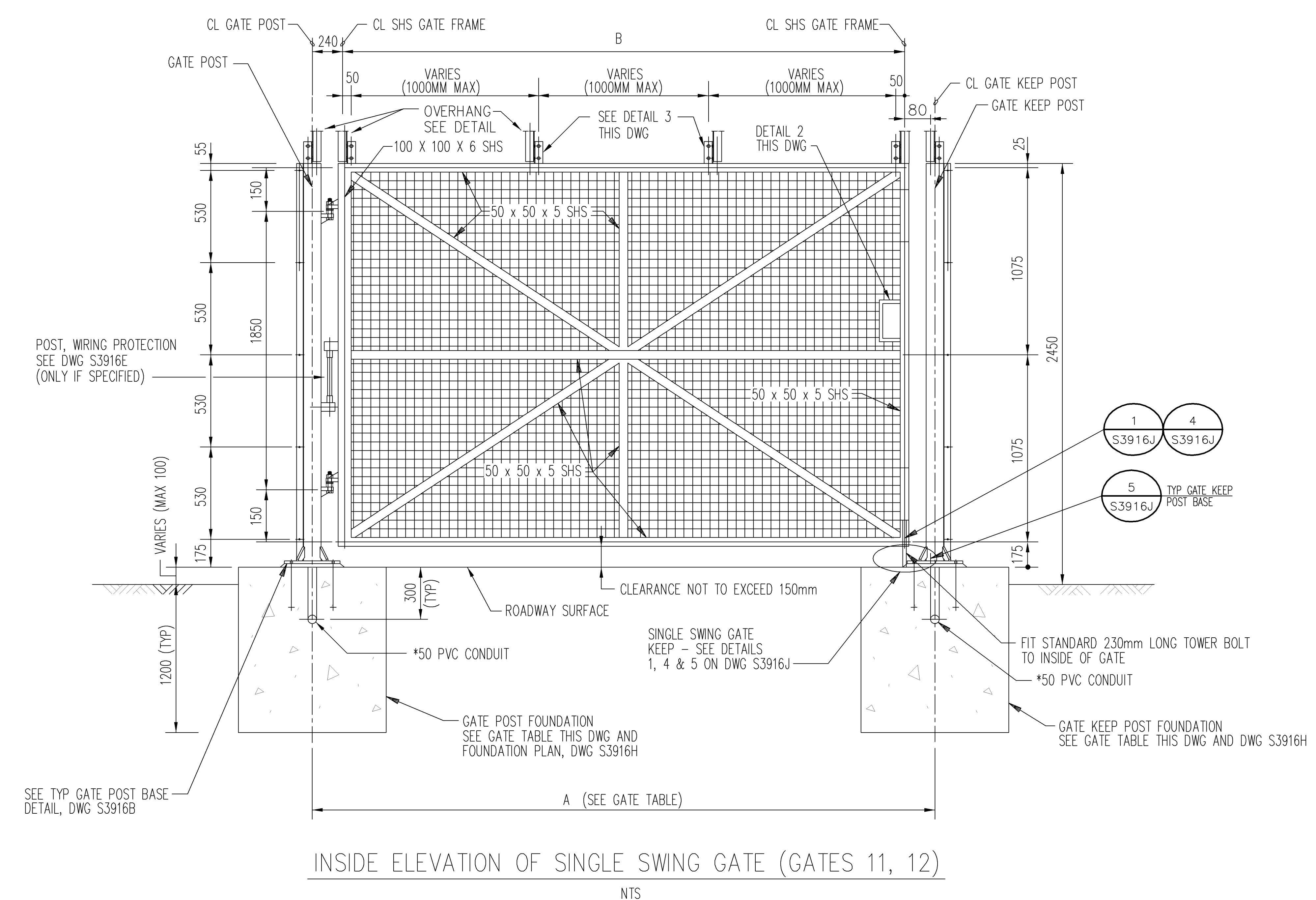
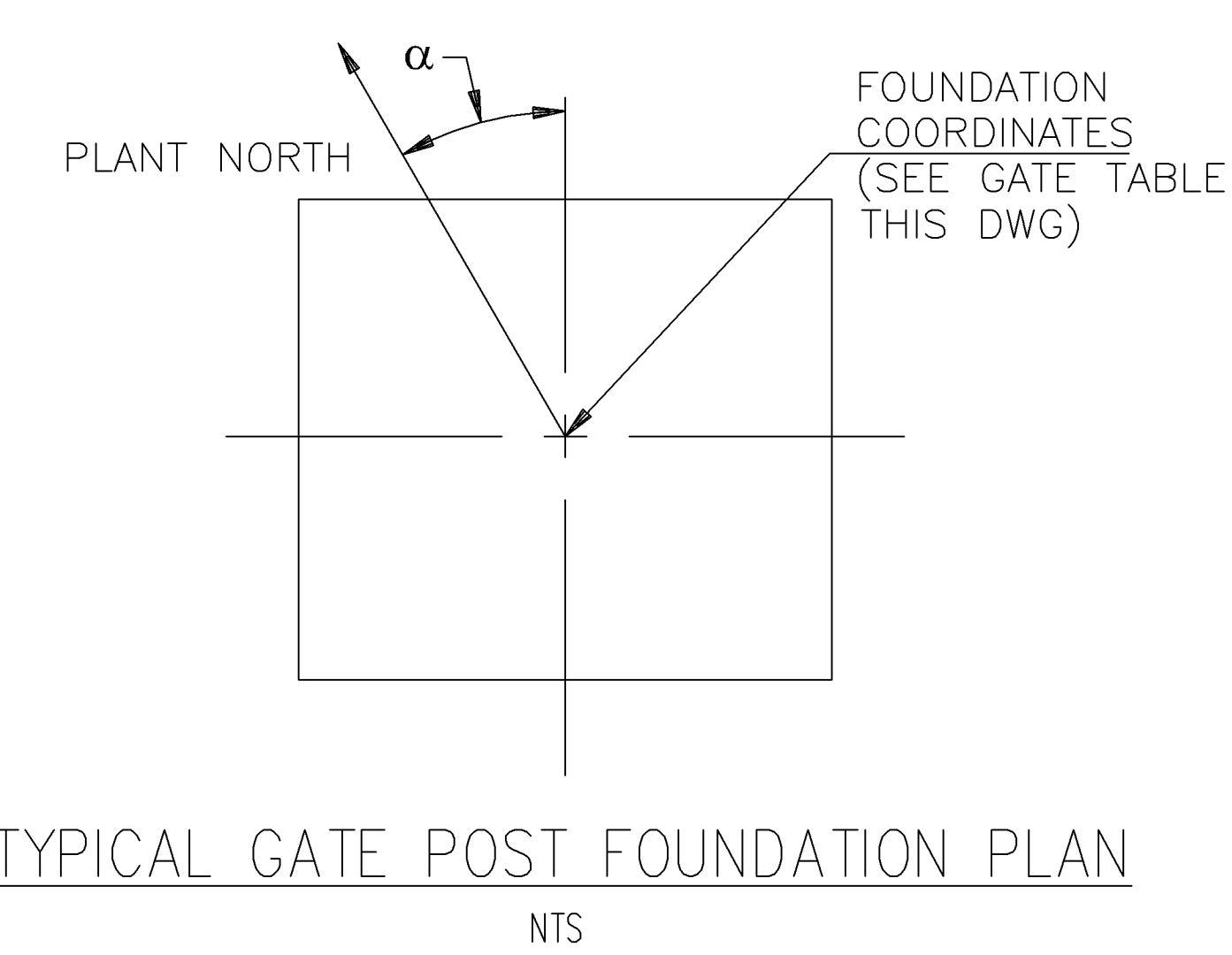
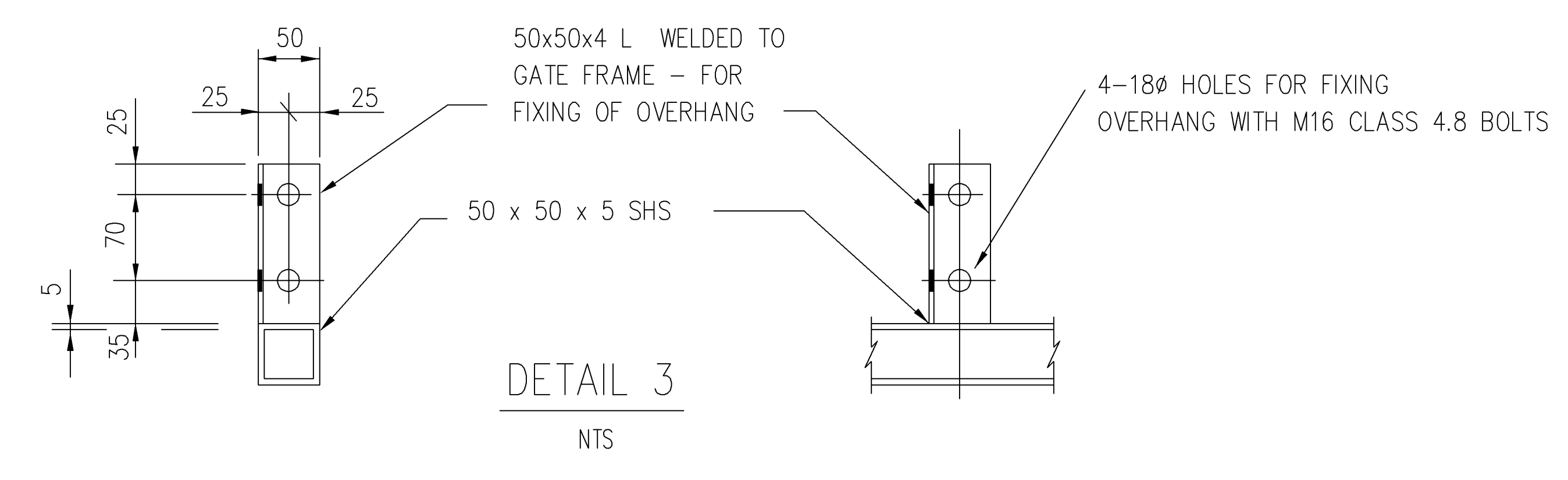
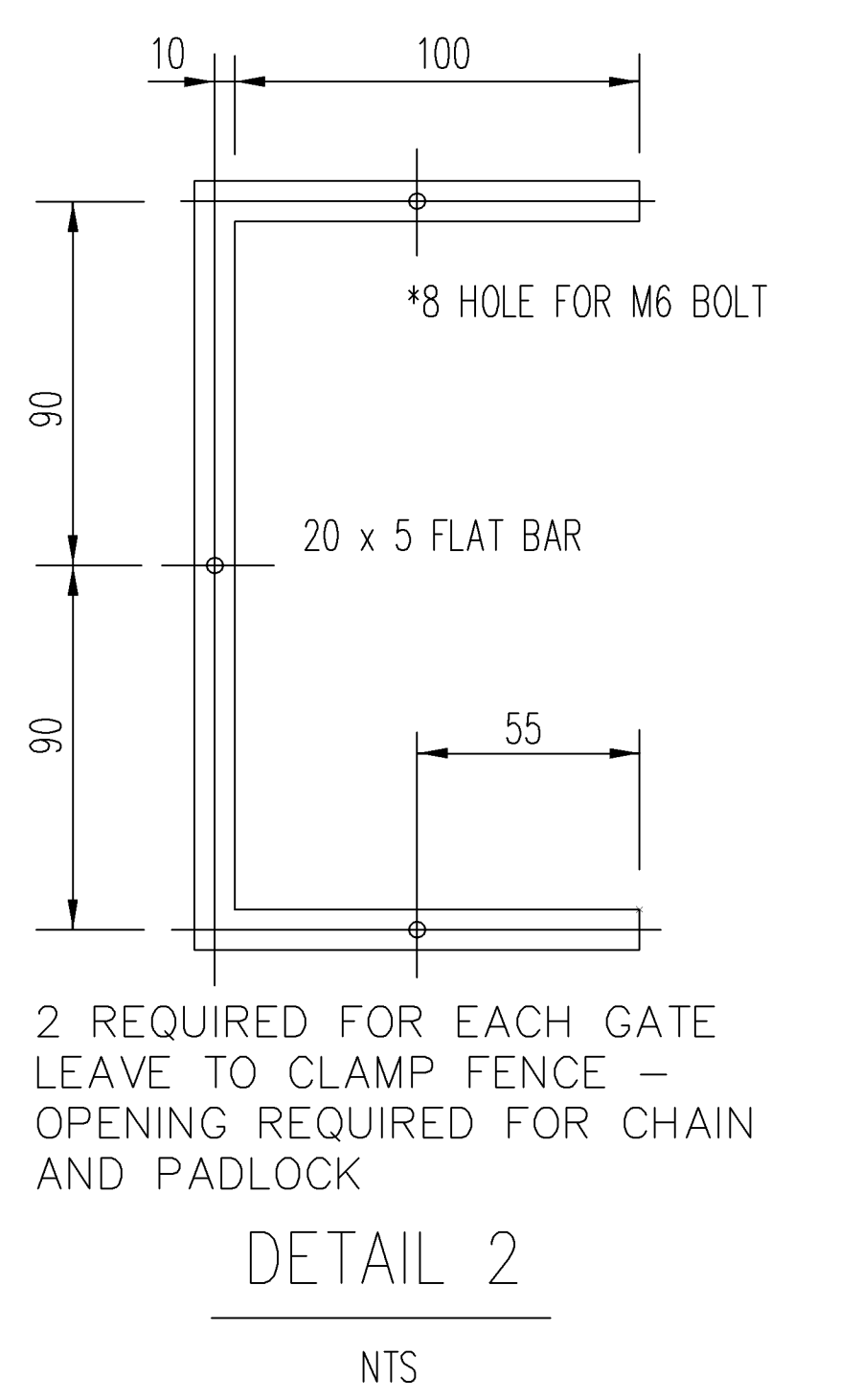


SINGLE SWING GATE TABLE													CONTRACT
GATE NO.	GATE TABLE				GATE POST FOUNDATION				GATE KEEP POST FOUNDATION				
	A	B	PLAN DWG. NO.	TOC FOUNDATION	FOUNDATION TYPE	FOUNDATION COORDINATES		α	FOUNDATION TYPE	FOUNDATION COORDINATES		α	
						NORTH	EAST			NORTH	EAST		
11	5500	5180	S3207	1511.330	1C	9377.991	10441.859	0	4	9377.991	10447.359	0	71.0203
12	5500	5180	S3207	1511.330	1D	9377.991	10458.259	0	4	9377.991	10452.759	0	71.0203
13	4950	4630	S3207	1510.900	1A	9387.991	10441.859	0	3	9387.991	10446.810	0	71.0203
14	4950	4630	S3207	1510.900	1B	9387.991	10458.259	0	3	9387.991	10453.320	0	71.0203

- NOTES**
- THIS DRAWING IS TO BE READ IN CONJUNCTION WITH ALL RELEVANT SECURITY FENCE DRAWINGS.
 - FOR EXPANSION JOINT, AND GATE HINGE DETAILS SEE DWG OUYX-S3916 & DWG OUYX-S3916A.
 - COMPLETE GATE AND ALL STEEL TO BE HOT DIPPED GALVANISED TO SANS 121. *6mm DRAINHOLES AT 300mm CENTRES TO BE DRILLED TO BOTTOM OF ALL GATES BEFORE GALVANISING.
 - ALL STEEL TO BE GRADE 300WA.
 - FENCE CONTRACTOR TO SUPPLY ALL GALVANISED NUTS, BOLTS, WASHERS etc. REQUIRED.
 - UNO. ALL WELDING FOR CONNECTIONS ETC. TO BE 5mm CONTINUOUS FILLET OR FULL PENETRATION GROUND FLUSH, AS APPLIES, AND CARRIED OUT IN THE WORKSHOP BEFORE GALVANISING.
 - GATE CLADDING TO BE 50x50x3,15mm MESH FULLY GALVANISED CLASS 'A' SECURED TO FRAME WITH STAINLESS STEEL STRAPPING EVERY 150mm.
 - SEE TABLE FOR H.D. BOLTS ON DWG S3916 AND ELEVATION/PLAN FOR H.D. BOLTS ON DWG S3916H.
 - GATES SHALL BE CONSTRUCTED SO THAT GATE KEEP BOLTS ARE ALWAYS ON THE STATION SIDE OF THE FENCE.



NOTE: INSIDE ELEVATION OF SINGLE SWING GATE 13 IS MIRROR IMAGE OPPOSITE IN EAST-WEST DIRECTION OF GATE 14.



2 REQUIRED FOR EACH GATE LEAVE TO CLAMP FENCE - OPENING REQUIRED FOR CHAIN AND PADLOCK

APPROVED FOR CONSTRUCTION
THE DISTRIBUTION AND USE OF THE NATIVE FILE FORMAT OF THIS DRAWING OUTSIDE OF BLACK & VEATCH IS UNCONTROLLED AND SHALL BE USED FOR REFERENCE PURPOSES ONLY.

DATE	16/MAR/12	ISSUE FOR CONSTRUCTION	MKK	DNS	JWF	MDC
BY	JKN	CHKD BY	BY	BY	BY	BY
SCALE	0.90/59093	KUSILE POWER STATION SECURITY FENCE SINGLE SWING ACCESS GATE PLAN, ELEVATIONS AND DETAILS				
SCALE	0.90/59093	146838-OUYX-S3916G				
SCALE	0.90/59093	Eskom				

MOSES084 ACAD 16:1s (LMS Tech) A:\P\0713_3041 03/15/12 13:50:41