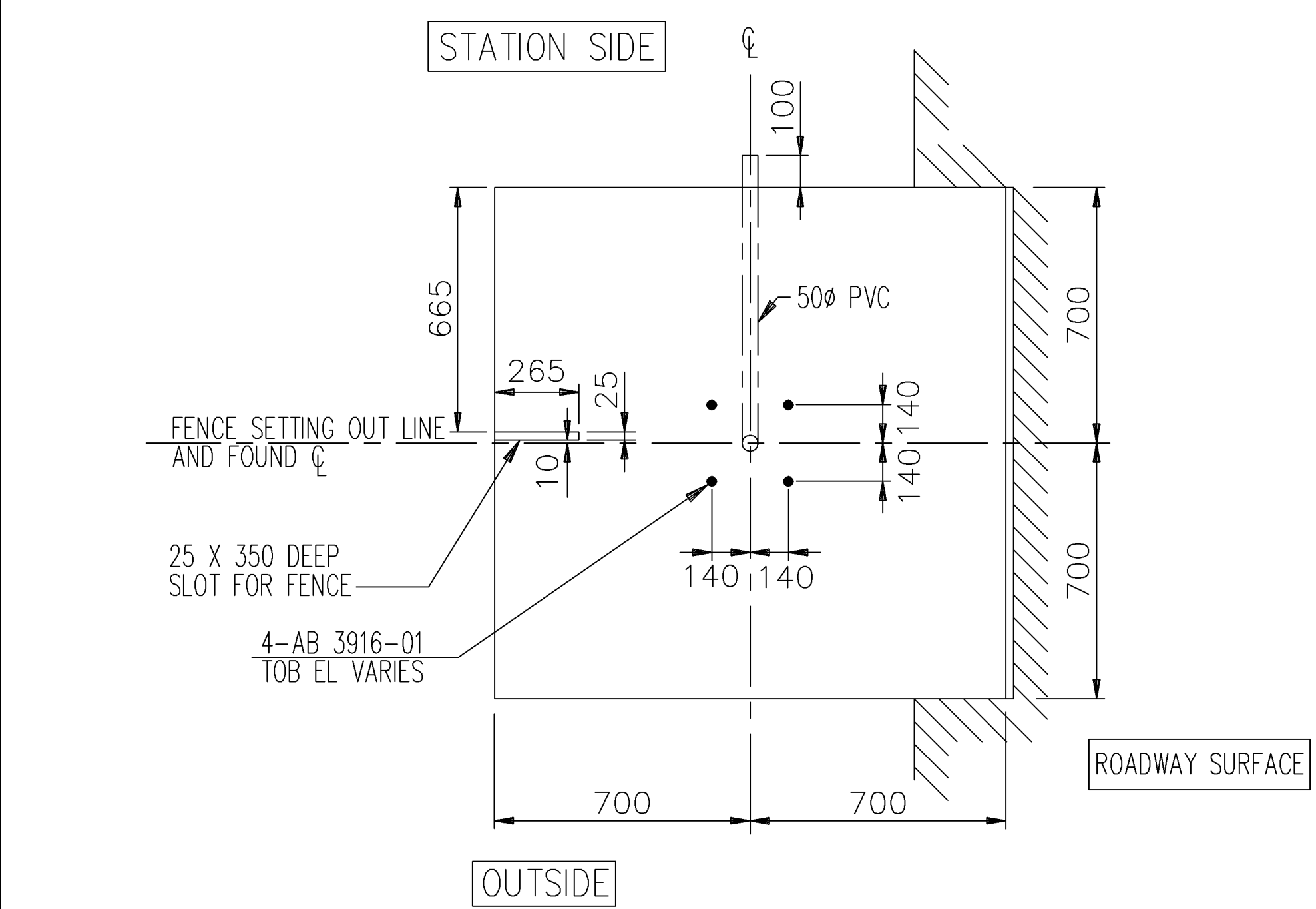


PLAN OF TYPE 1A GATE POST FOUNDATION
NTS

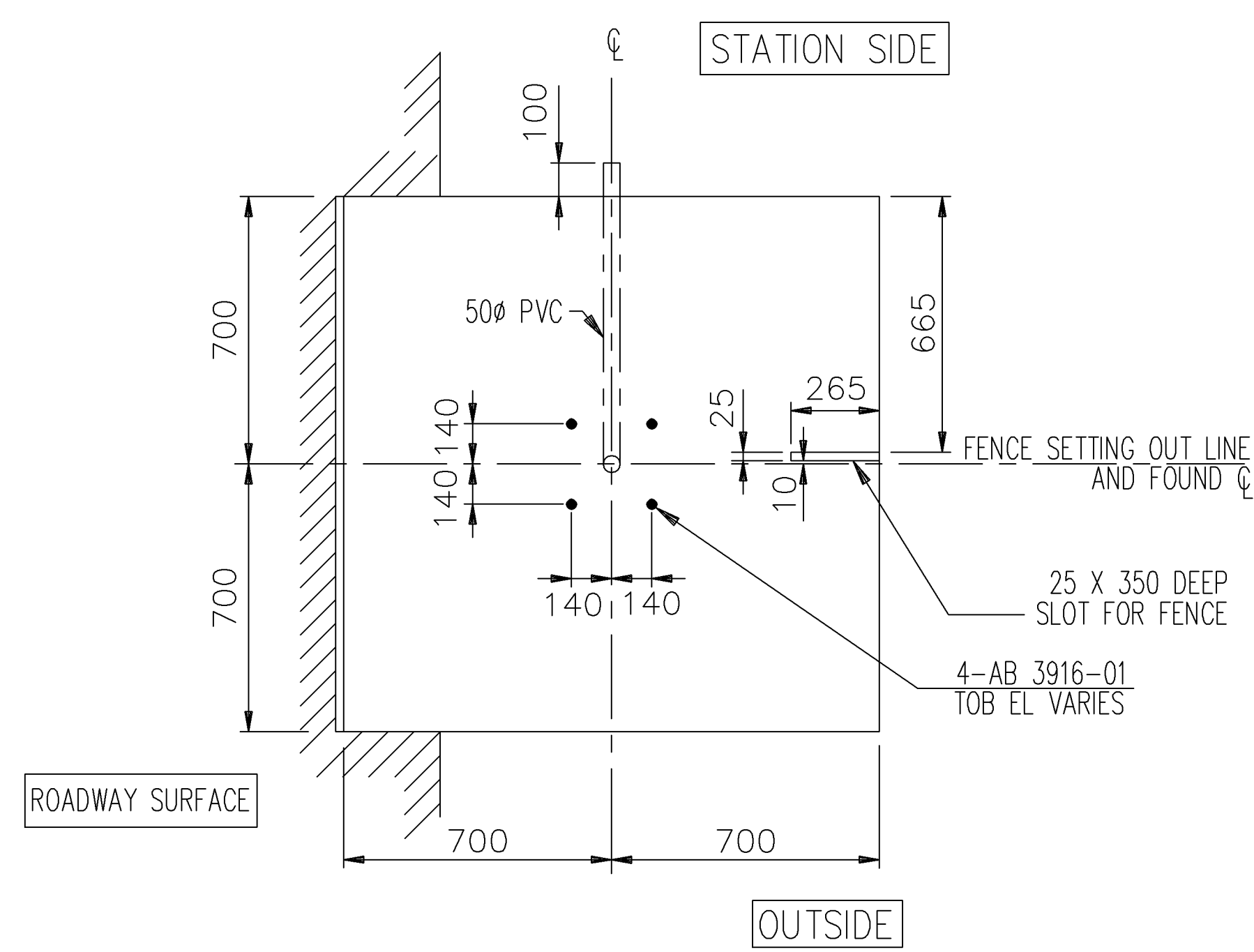
PLAN OF TYPE 1B GATE POST FOUNDATION
NTS

PLAN OF TYPE 1C GATE POST FOUNDATION
NTS

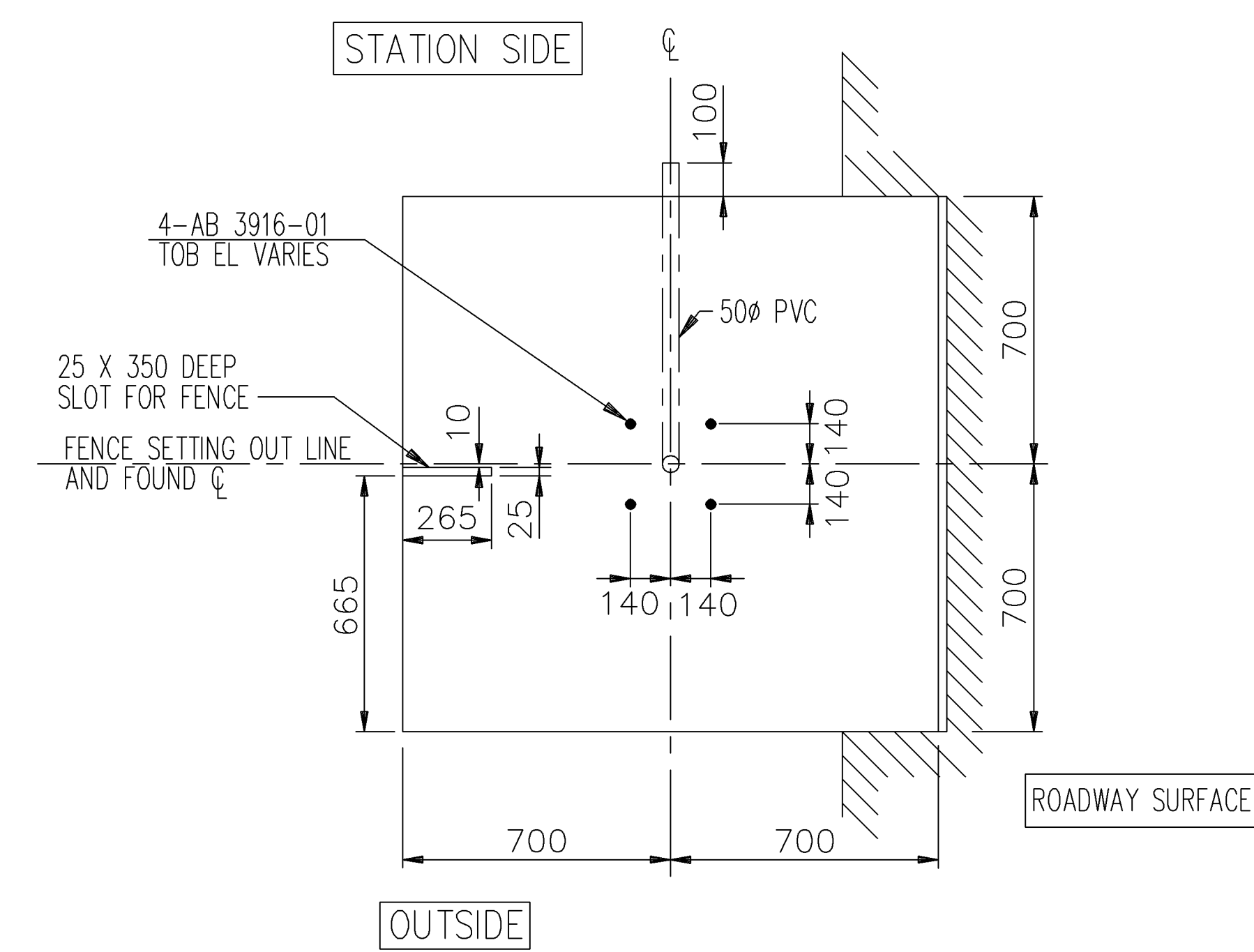
PLAN OF TYPE 1D GATE POST FOUNDATION
NTS



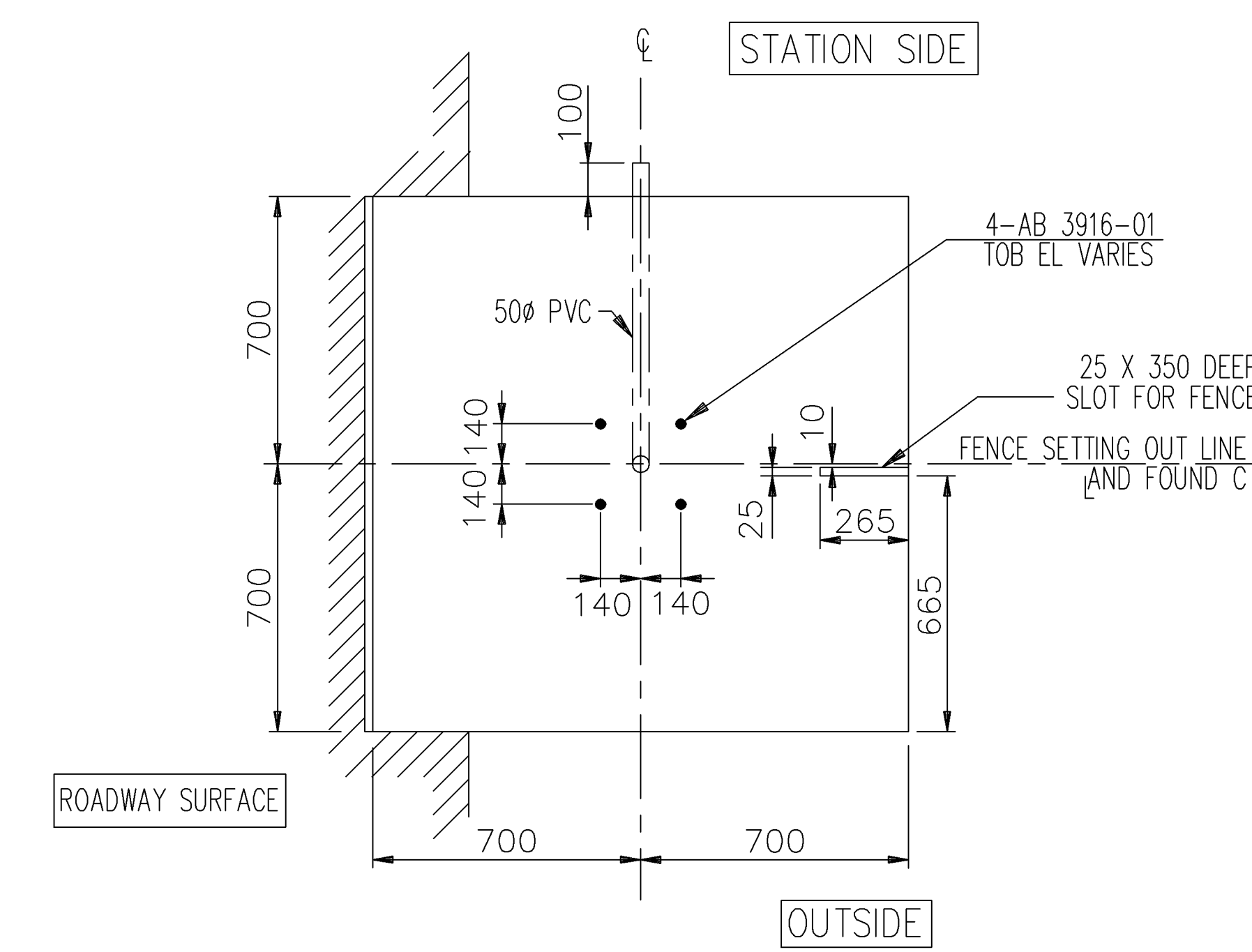
PLAN OF TYPE 2A GATE POST FOUNDATION
NTS



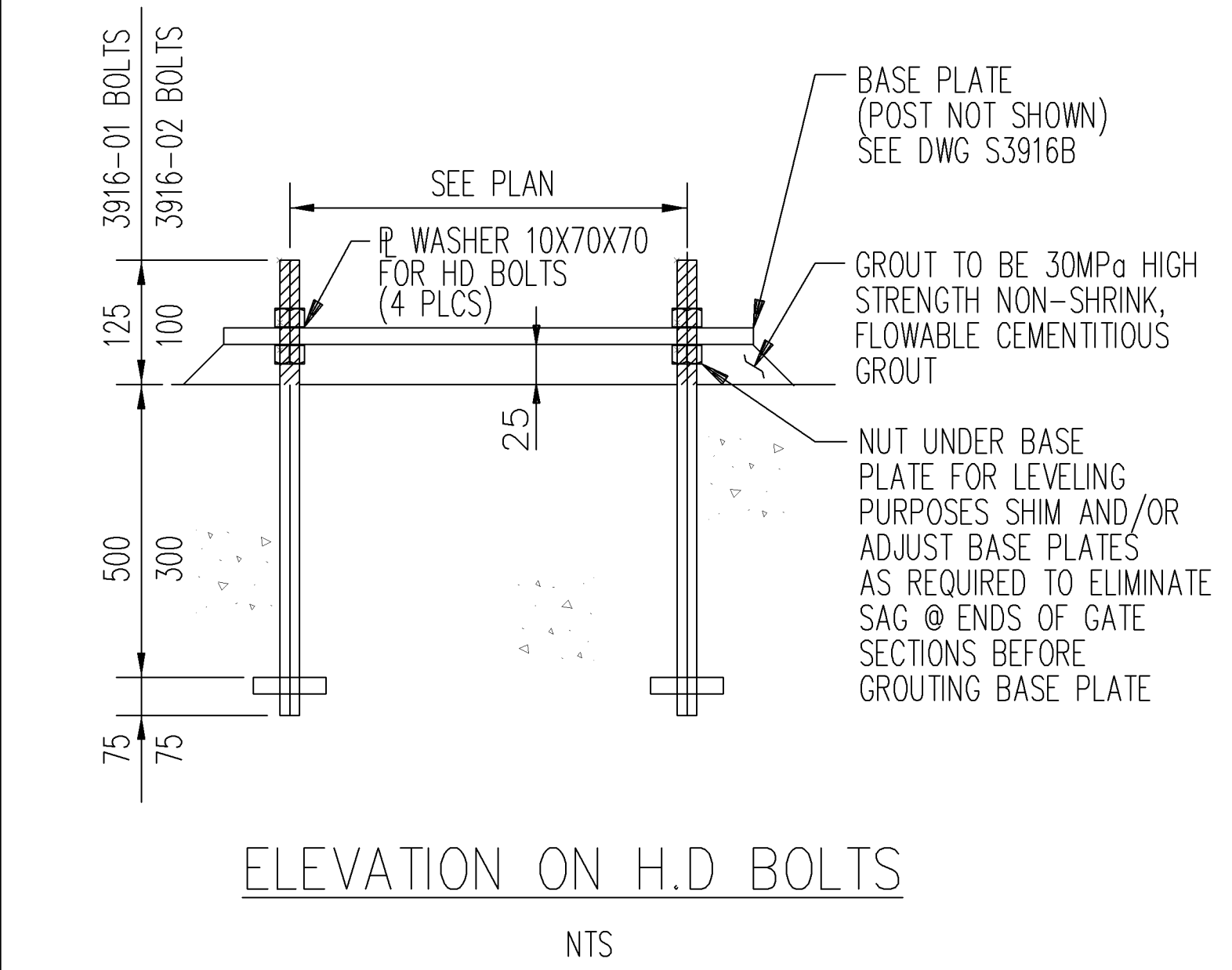
PLAN OF TYPE 2B GATE POST FOUNDATION
NTS



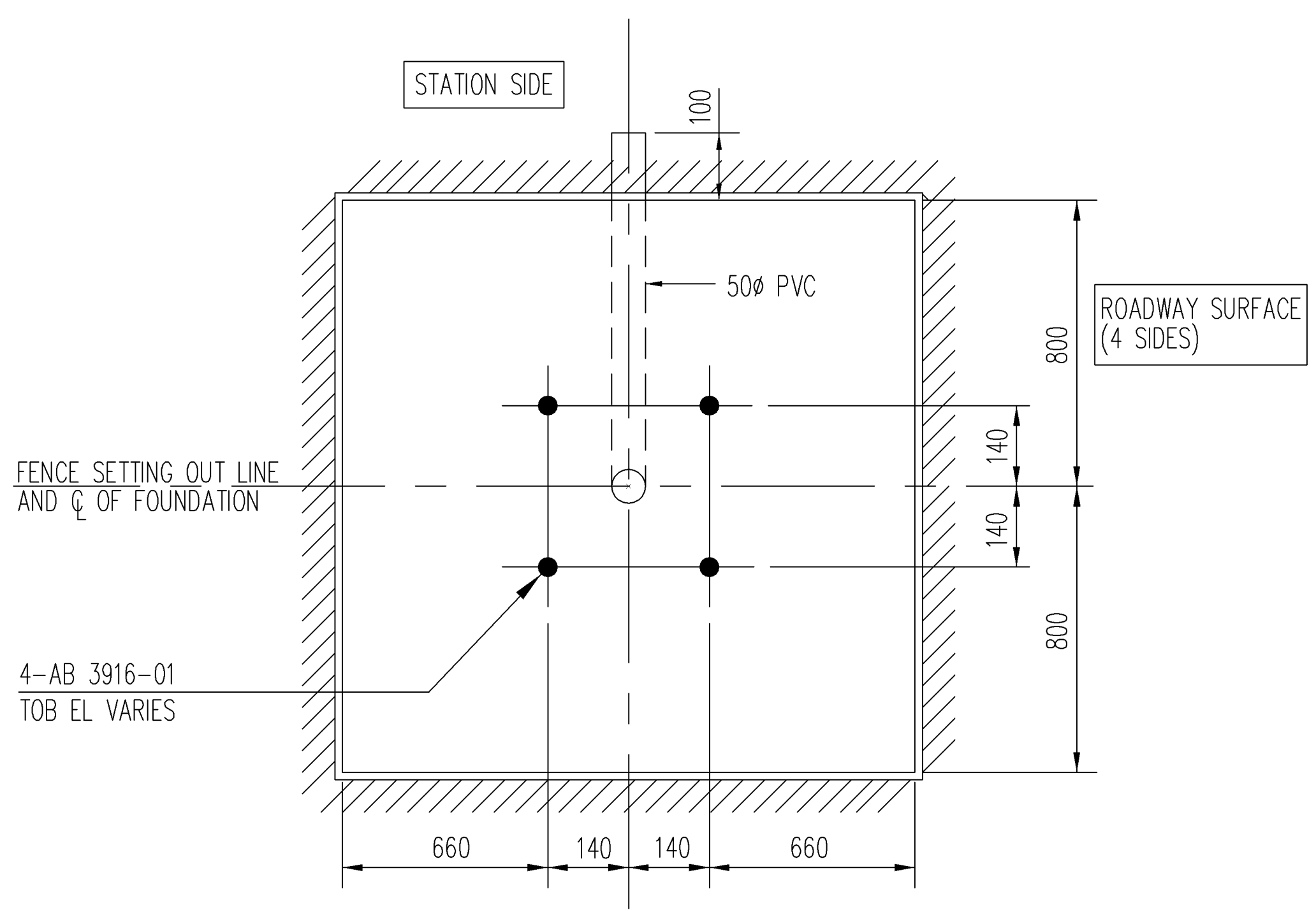
PLAN OF TYPE 2C GATE POST FOUNDATION
NTS



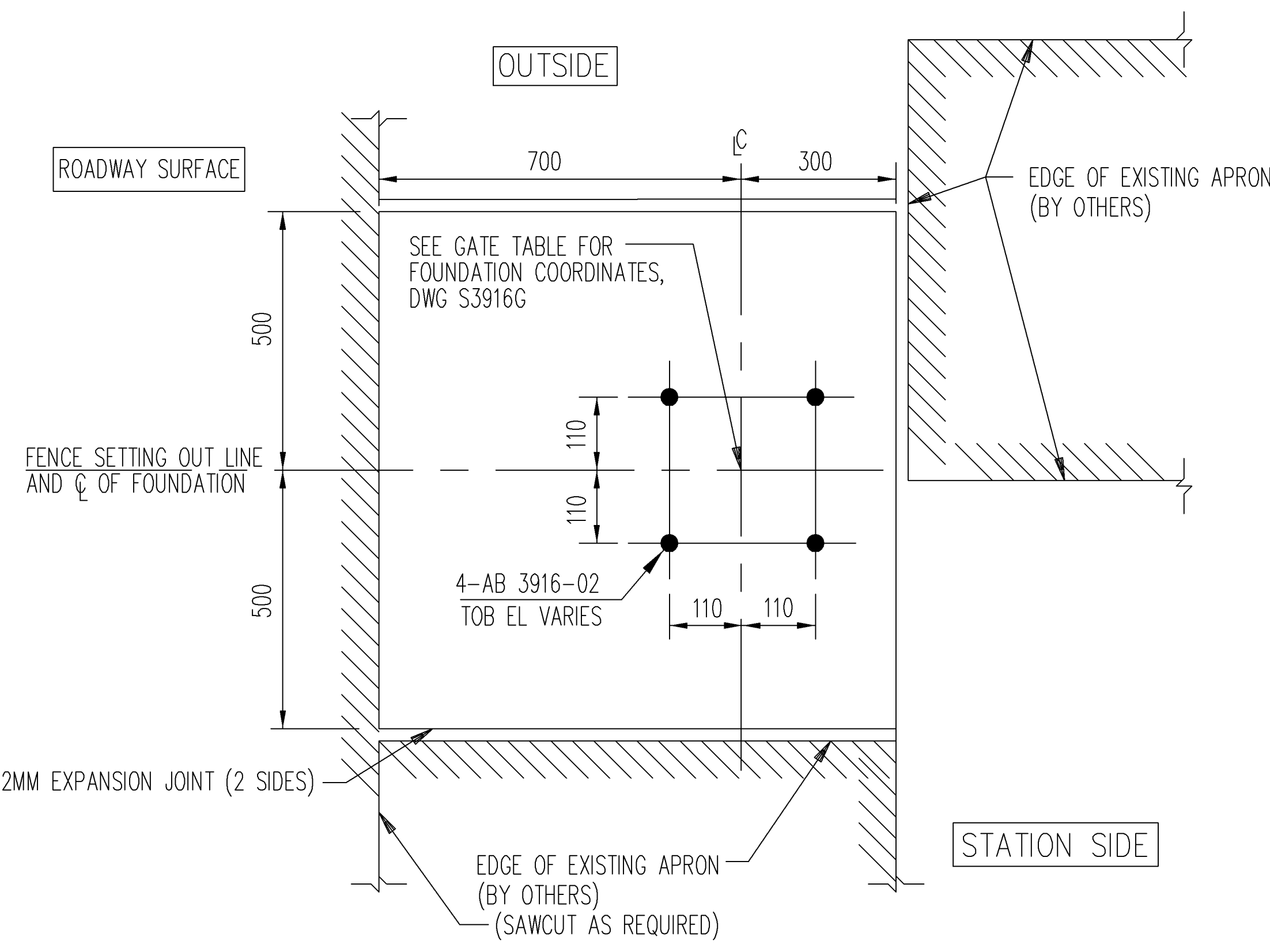
PLAN OF TYPE 2D GATE POST FOUNDATION
NTS



ELEVATION ON H.D. BOLTS
NTS



PLAN OF TYPE 4 GATE KEEP POST FOUNDATION
NTS



PLAN OF TYPE 3 GATE KEEP POST FOUNDATION (FOR SINGLE SWING GATE 14)(SEE NOTE)
NTS

NOTE: PLAN OF GATE KEEP POST FOUNDATION FOR SINGLE SWING GATE 13 TO BE MIRROR IMAGE IN THE EAST-WEST DIRECTION OF GATE 14 GATE KEEP POST FOUNDATION.

APPROVED FOR CONSTRUCTION
THE DISTRIBUTION AND USE OF THE NATIVE FILE FORMAT OF THIS DRAWING OUTSIDE OF BLACK & VEATCH IS UNCONTROLLED AND SHALL BE USED FOR REFERENCE PURPOSES ONLY.

NO.	DATE	ISSUE FOR CONSTRUCTION	MKJ	DNS	JWF	MDC
0	16/MAR/12	ISSUE FOR CONSTRUCTION				

DESIGN	DATE	BY	CHKD	APPD	REV
DESIGN	16/MAR/12	JKN			

KUSILE POWER STATION	
SECURITY FENCE	
GATE POST FOUNDATIONS	
PROJECT NO.	146838-0UYX-S3916H
SCALE	0.90/59094

MCE/SAB/ACAD 16:1s (LMS Tech)
 A:\APR07\13_03_24