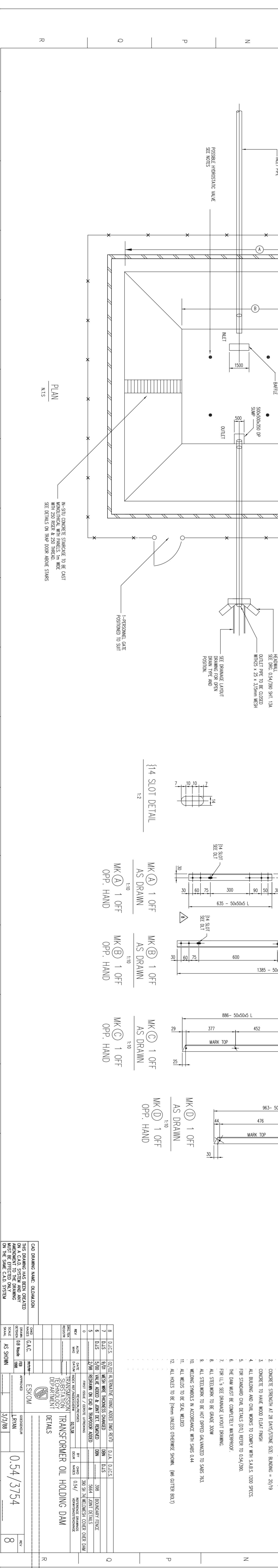
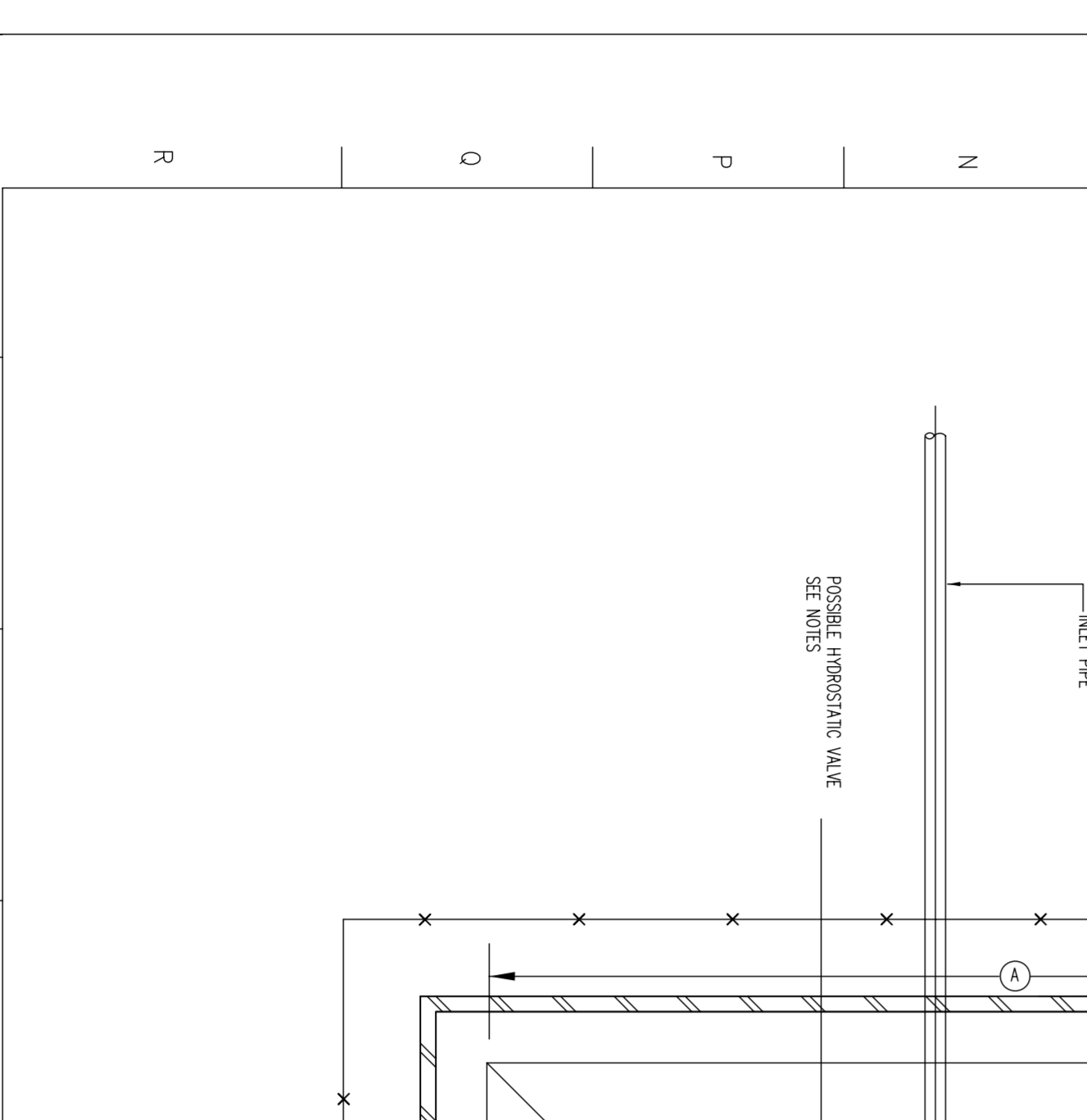
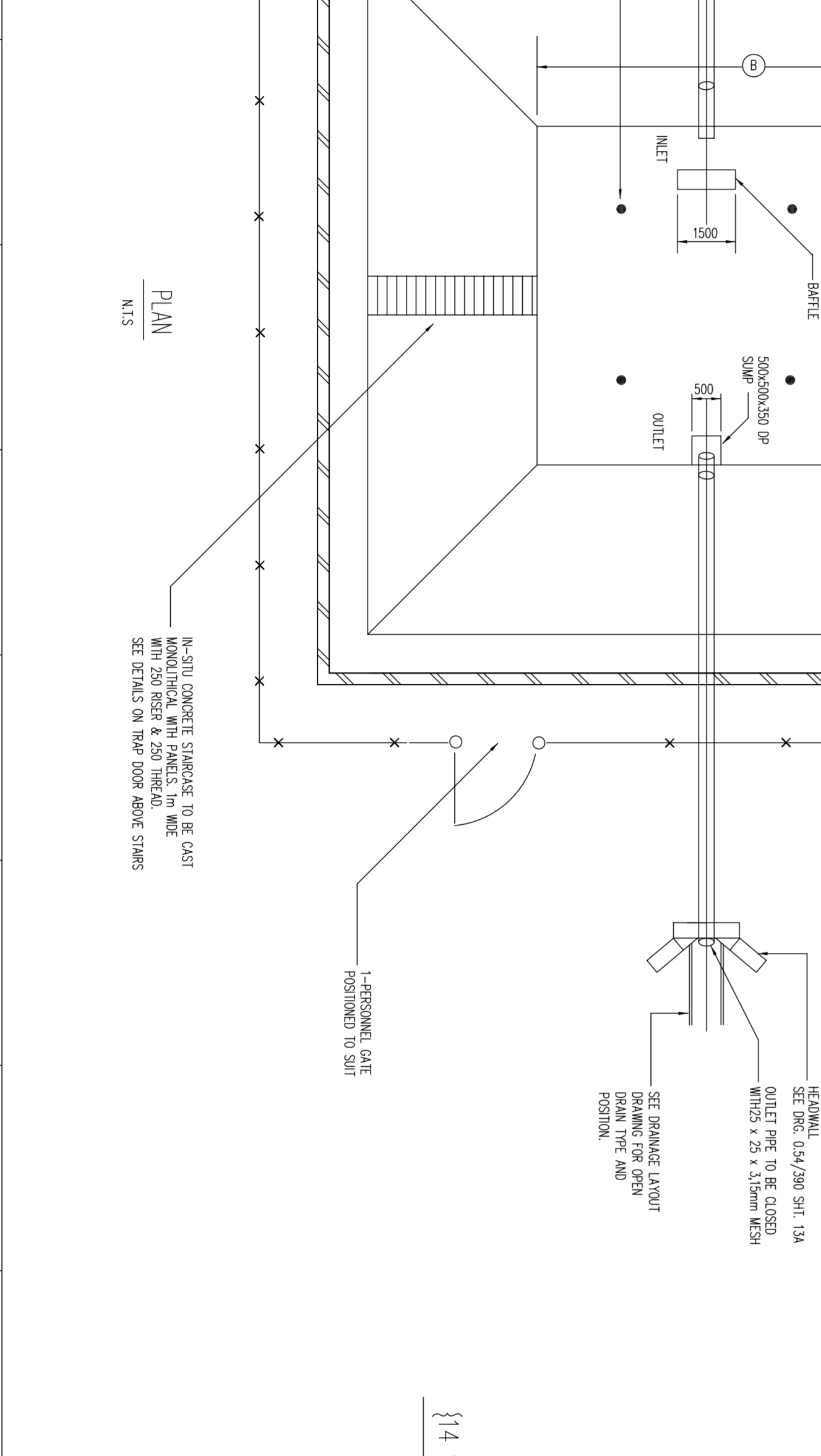
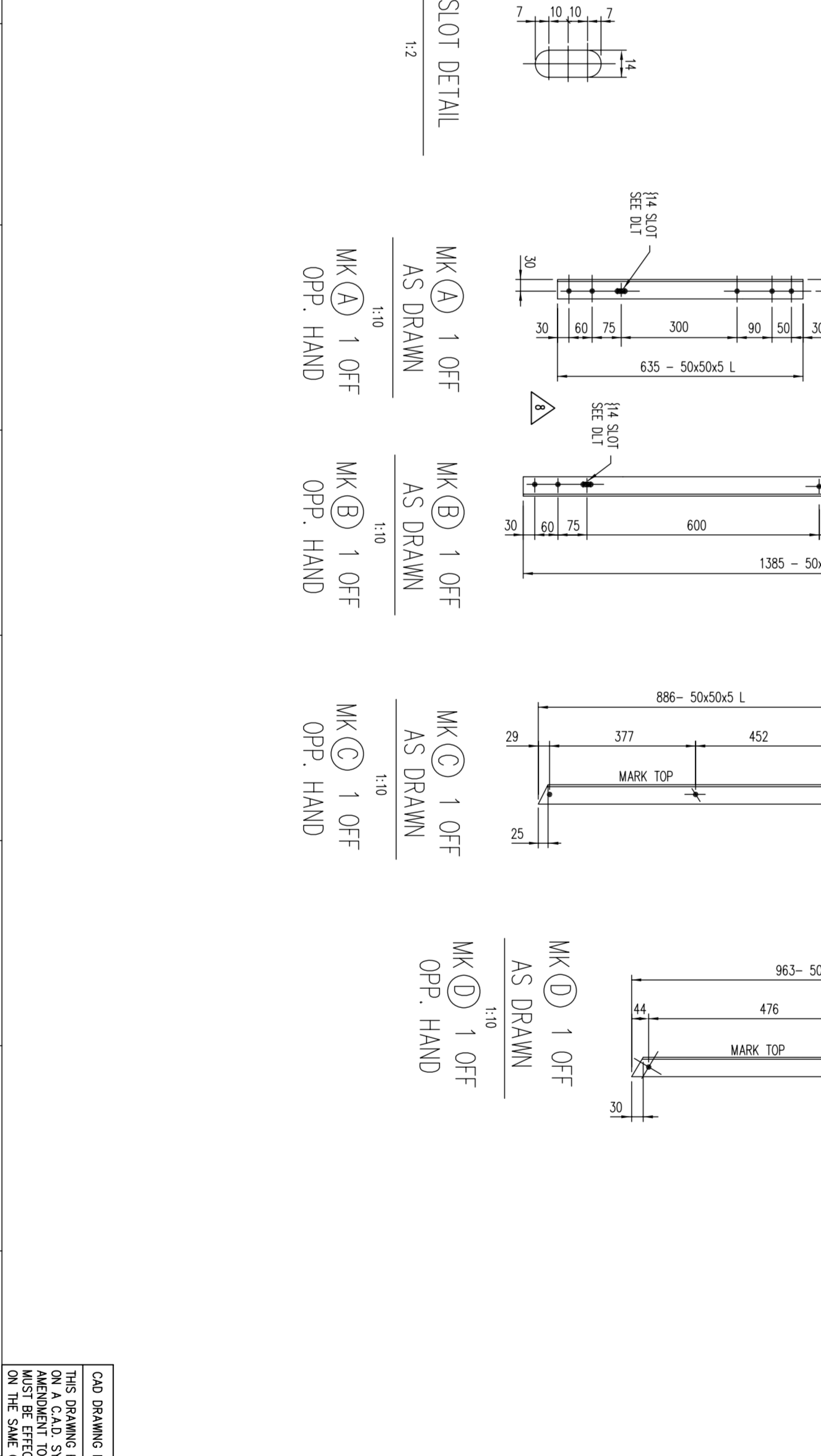


TYPE	Q.L. NUMBER	Q.L. SIZE	Q.L. LENGTH	Q.L. WIDTH	Q.L. AREA	Q.L. WEIGHT
1	500 x 1	7300	2300	2300	108.7	8.78
2	500 x 1	8200	2300	2300	120.7	9.78
3	500 x 1	8200	2300	2300	120.7	9.78
4	500 x 1	10100	2300	2300	146.7	11.98
5	500 x 1	10100	2300	2300	146.7	11.98
6	500 x 1	10100	2300	2300	146.7	11.98
7	500 x 1	10100	2300	2300	146.7	11.98
8	500 x 1	10100	2300	2300	146.7	11.98
9	500 x 1	10100	2300	2300	146.7	11.98
10	500 x 1	10100	2300	2300	146.7	11.98
11	500 x 1	10100	2300	2300	146.7	11.98
12	500 x 1	10100	2300	2300	146.7	11.98
13	500 x 1	10100	2300	2300	146.7	11.98
14	500 x 1	10100	2300	2300	146.7	11.98
15	500 x 1	10100	2300	2300	146.7	11.98
16	500 x 1	10100	2300	2300	146.7	11.98
17	500 x 1	10100	2300	2300	146.7	11.98
18	500 x 1	10100	2300	2300	146.7	11.98
19	500 x 1	10100	2300	2300	146.7	11.98
20	500 x 1	10100	2300	2300	146.7	11.98
21	500 x 1	10100	2300	2300	146.7	11.98
22	500 x 1	10100	2300	2300	146.7	11.98
23	500 x 1	10100	2300	2300	146.7	11.98



ITEM	DESCRIPTION	QTY	UNIT	PRICE	TOTAL
1	CONCRETE	108.7	M ³	120.00	13044.00
2	REINFORCEMENT	119.8	KG	1.20	14376.00
3	FORMWORK	120.7	M ²	10.00	12070.00
4	LABOUR	146.7	HR	15.00	22005.00
5	TRANSPORT	146.7	HR	10.00	14670.00
6	WATER	146.7	M ³	0.50	73.35
7	POWER	146.7	HR	10.00	14670.00
8	SALES TAX	146.7	HR	10.00	14670.00
9	PROFIT	146.7	HR	10.00	14670.00
10	TOTAL				100000.00



ITEM	DESCRIPTION	QTY	UNIT	PRICE	TOTAL
1	CONCRETE	108.7	M ³	120.00	13044.00
2	REINFORCEMENT	119.8	KG	1.20	14376.00
3	FORMWORK	120.7	M ²	10.00	12070.00
4	LABOUR	146.7	HR	15.00	22005.00
5	TRANSPORT	146.7	HR	10.00	14670.00
6	WATER	146.7	M ³	0.50	73.35
7	POWER	146.7	HR	10.00	14670.00
8	SALES TAX	146.7	HR	10.00	14670.00
9	PROFIT	146.7	HR	10.00	14670.00
10	TOTAL				100000.00

NOTES:

1. FORMWORK CONCRETE WITH MASONRY FOR PROVISIONALY PLACED CONCRETE
2. CONCRETE SHOULD BE AT LEAST 28 DAYS OLD BEFORE CASTING
3. ALL REINFORCEMENT SHOULD BE CAST WITH 50% LAP
4. ALL REINFORCEMENT SHOULD BE CAST WITH 50% LAP
5. THE DAM WALL SHOULD BE CAST WITH 50% LAP
6. THE DAM WALL SHOULD BE CAST WITH 50% LAP
7. 100% L.S. SET DAMMED LAYOUT DRAWING
8. ALL DIMENSIONS TO BE SHOWN FROM
9. ALL DIMENSIONS TO BE SHOWN FROM
10. ALL DIMENSIONS TO BE SHOWN FROM
11. ALL DIMENSIONS TO BE SHOWN FROM
12. ALL DIMENSIONS TO BE SHOWN FROM

WATER PRESSURE RELEASE VALVE:

WATER TO BE RELEASED ONLY WHEN INDICATED BY SIGNAL FROM RELEASE VALVE WITH WATER TIGHT

RELEASE VALVE TO BE CAST TO LEVEL PER DIMENSIONS

CONCRETE TO BE CAST TO LEVEL PER DIMENSIONS

PLAN ON TRAP DOOR ABOVE STAIRS

SECTION X-X

SECTION A-A

14 SLOT DETAIL

BUND WALL DETAIL

1.5m LONG BAFFLE WALL DETAIL

DAM CONSTRUCTION DETAILS

WATER PRESSURE RELEASE VALVE

PLAN

0.54/3754

8

PLOT SCALE 200