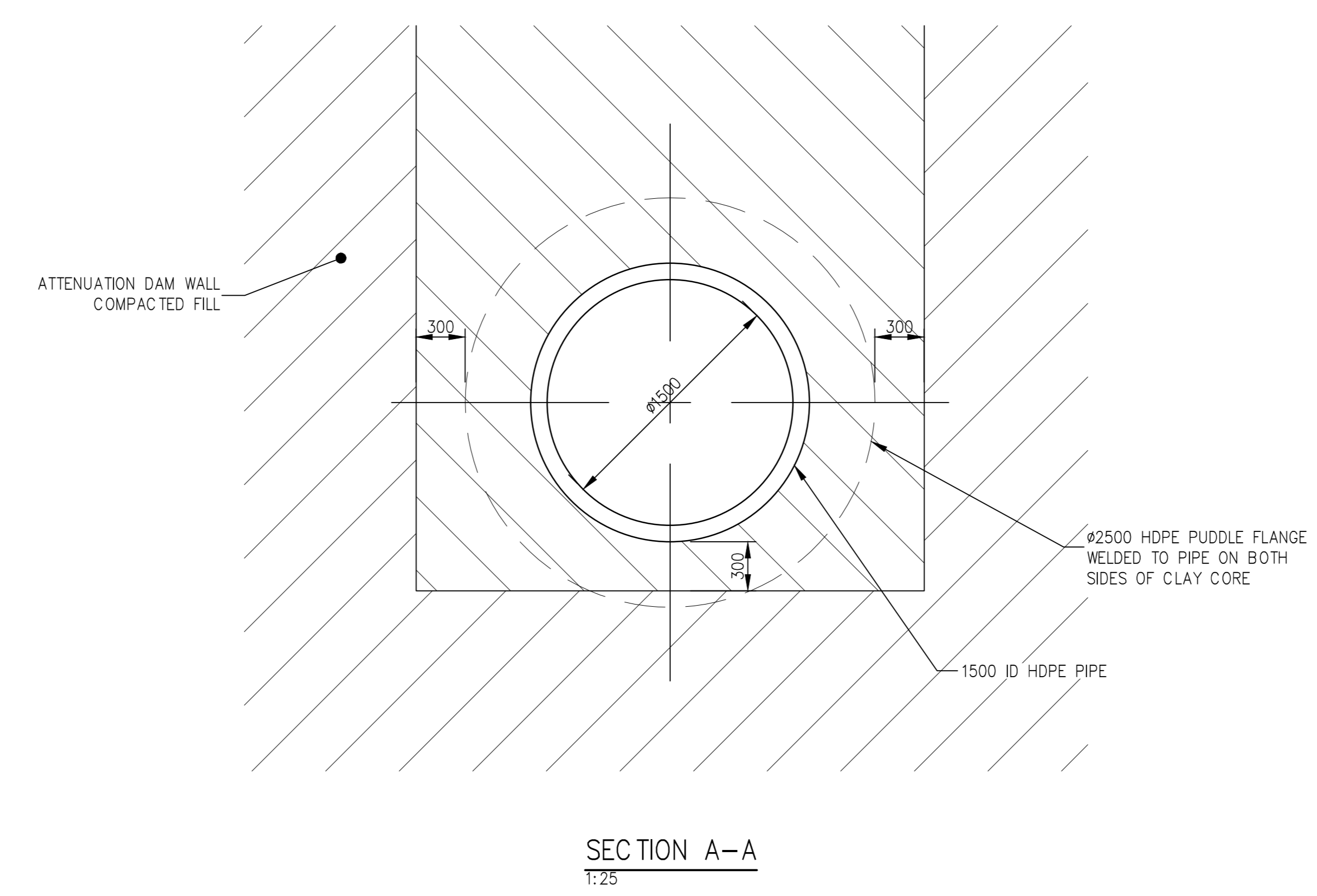
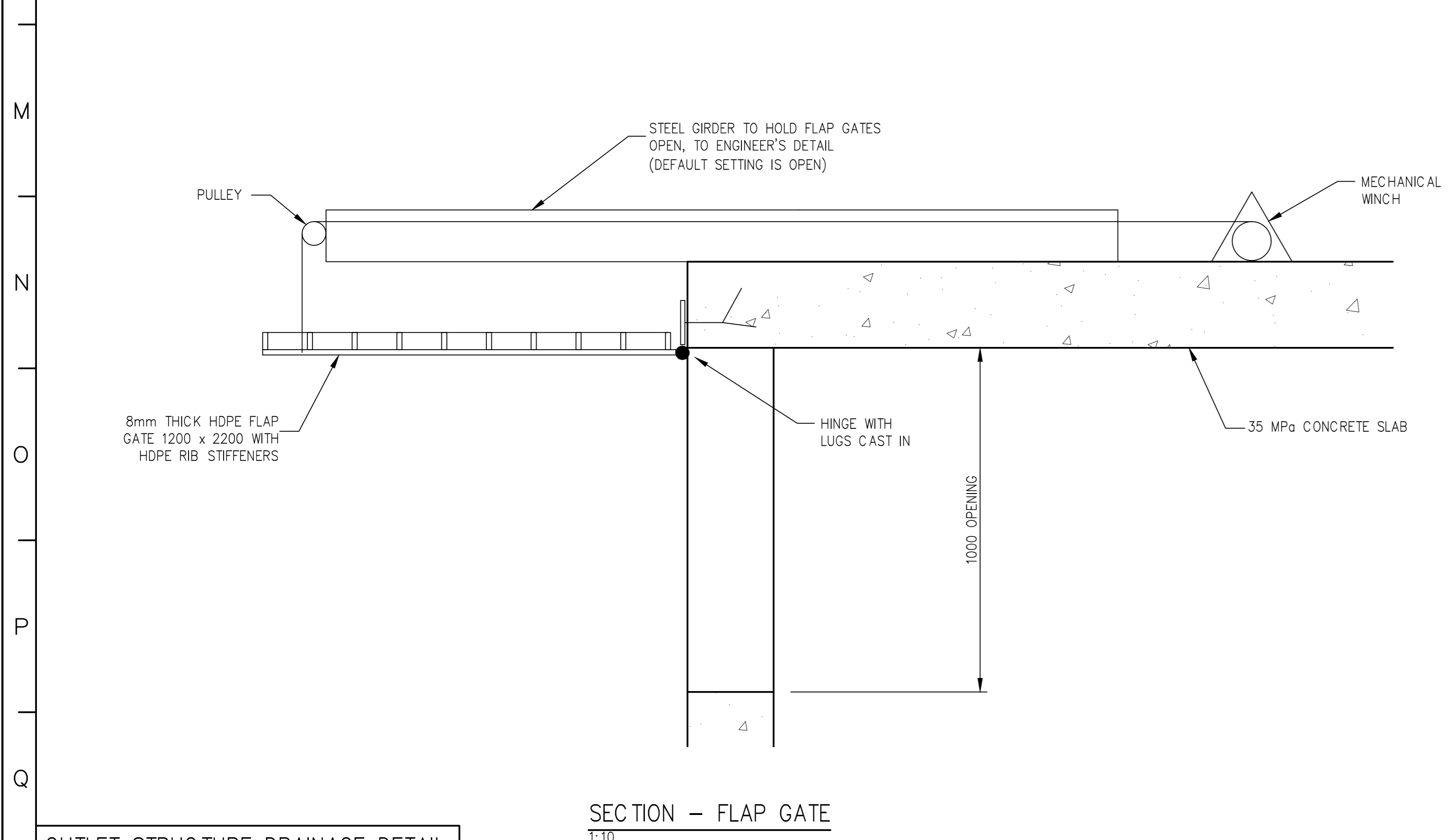
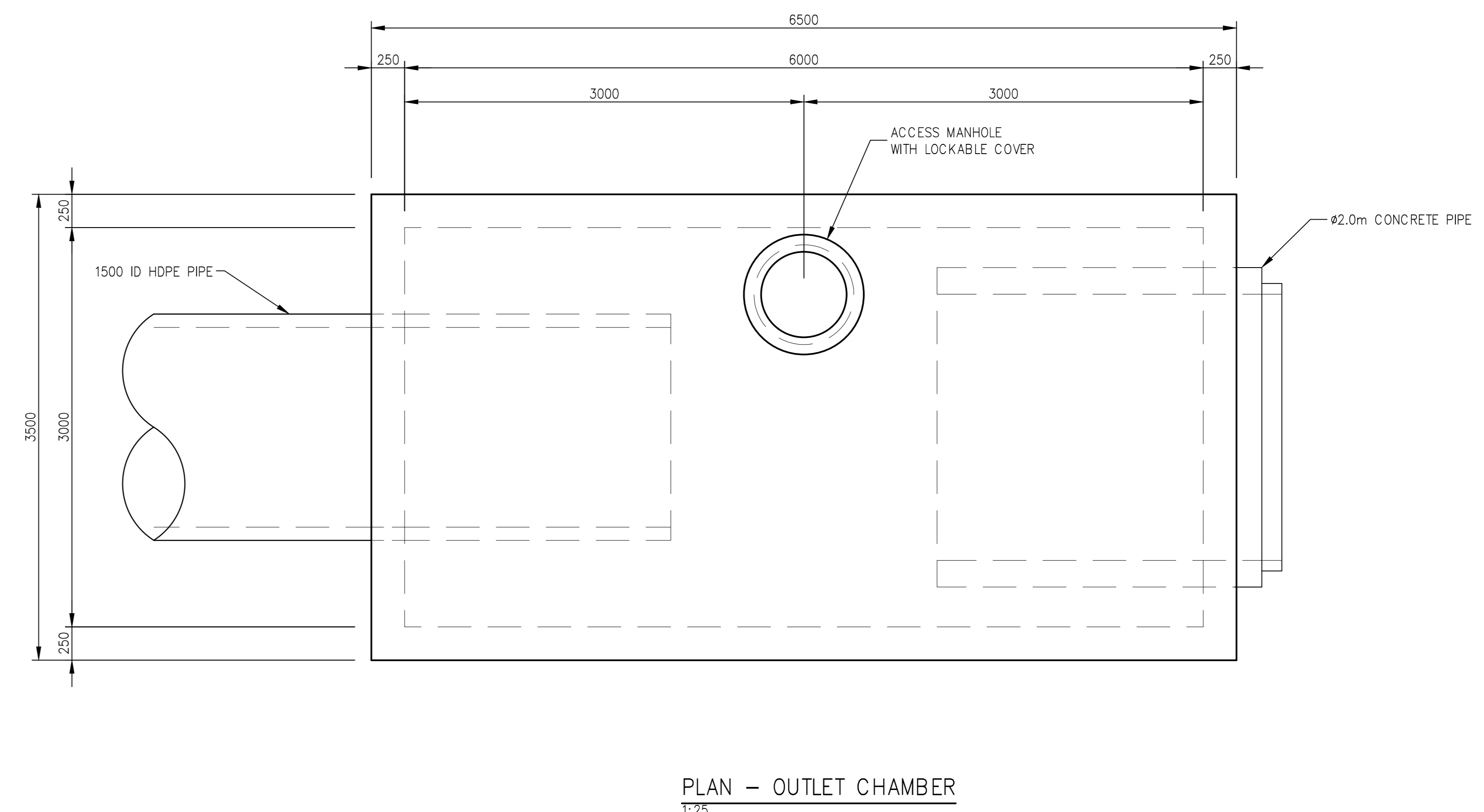
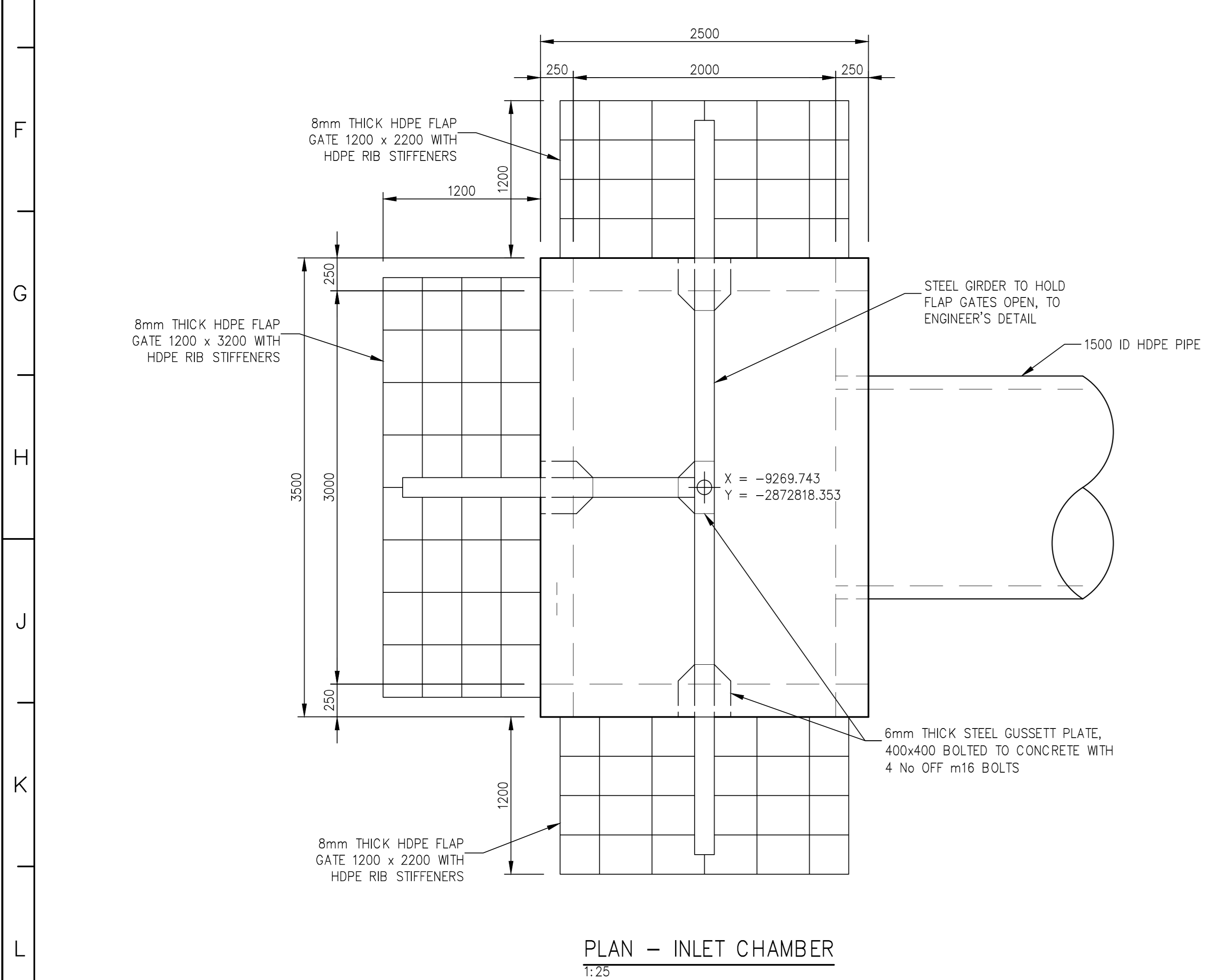


NOTE
 ALL LEVELS & DIMENSIONS TO BE VERIFIED ON SITE BEFORE ANY WORK COMMENCES. ANY DISCREPANCIES TO BE REPORTED TO THE ENGINEER.



60YR ADF SCOPE LEGEND		KKS	PBS	00UE001	REV	DATE	INDEX REFERENCE	REV	DATE	INDEX REFERENCE	REV	DATE	INDEX REFERENCE
1	0	20/10/2023	DESIGNED FOR CONSTRUCTION	KFM	BLZ	KFM							
2	0	20/10/2023	DESIGNED FOR CLIENT REVIEW										
3	0	20/10/2023	DESIGNED FOR INTERNAL REVIEW	MM	BLZ	KFM							
4	0	20/10/2023	DESIGNED FOR INTERNAL REVIEW										

NAME	LABEL	DATE	INDEX REFERENCE
NOTES:			
COORDINATE SYSTEM :	L029 WGS-84		
Sign:			
K.M. MATULOVICH			
Pr. Eng. 20190729			
Date: 30-11-2023			

ESKOM HOLDINGS LTD.		REG. NO.	2002/010527/06
KUSILE POWER STATION		ASH DISPOSAL FACILITY	
ATTENUATION DAM 3		INLET & OUTLET CHAMBER DETAILS	
Scale:	1:50	Sheet:	1 of 0