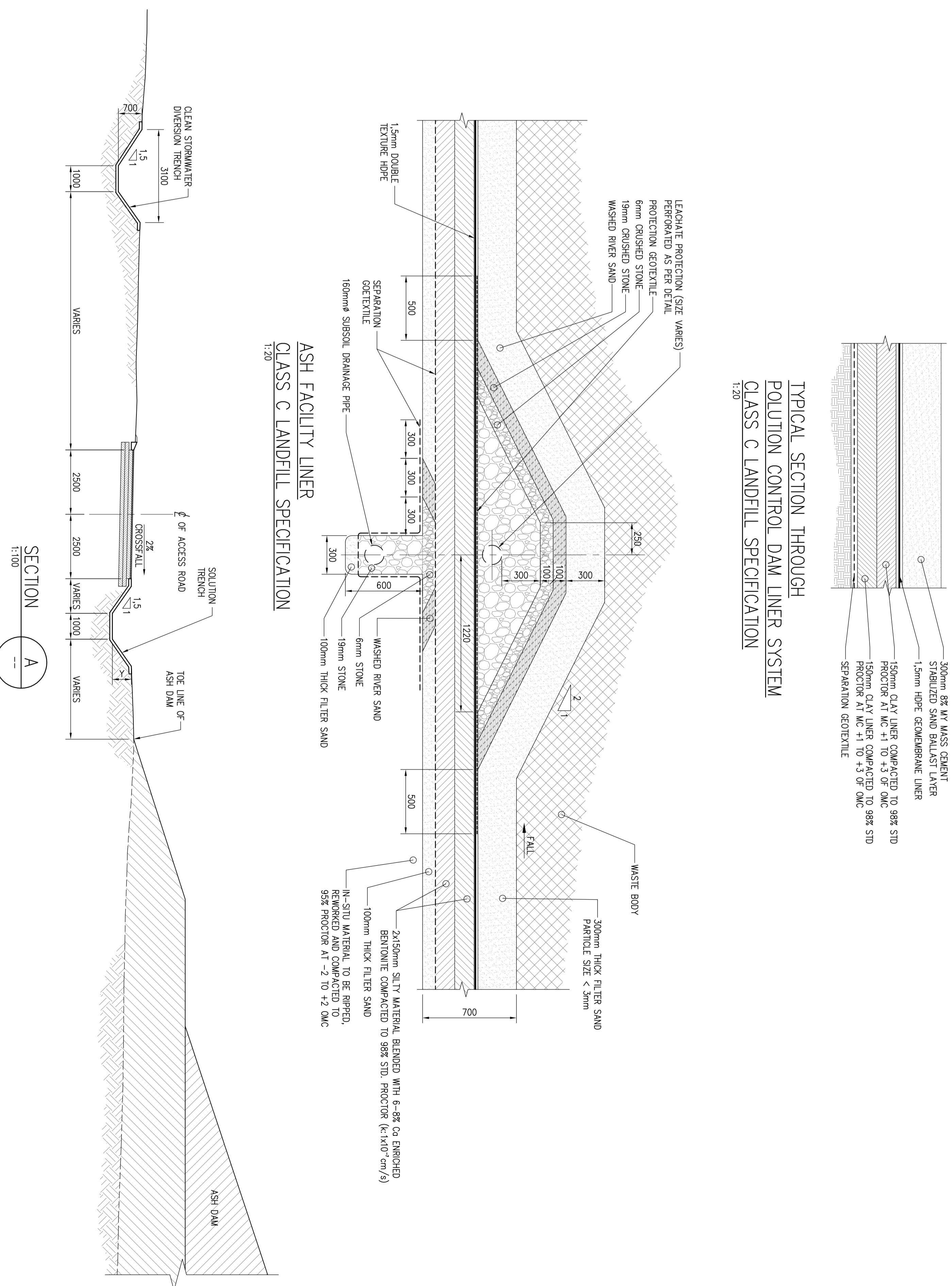
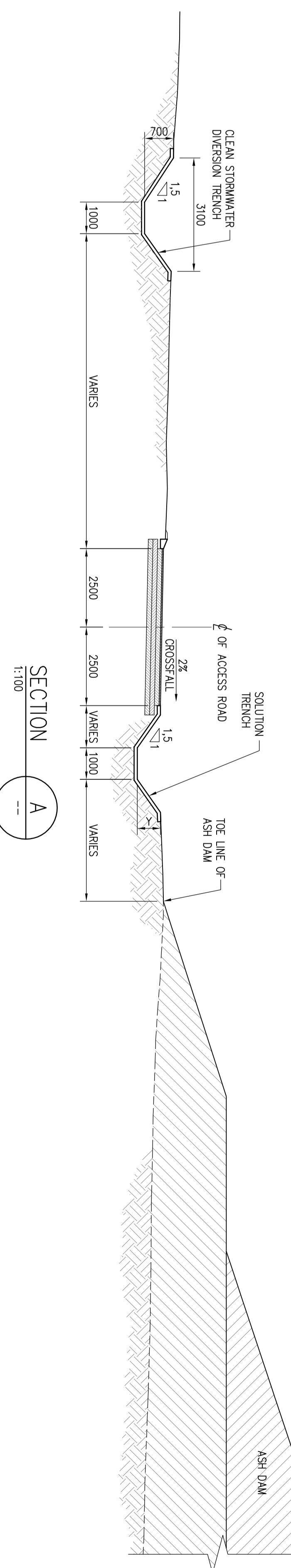


LAYOUT OF SITE 2
1:5000

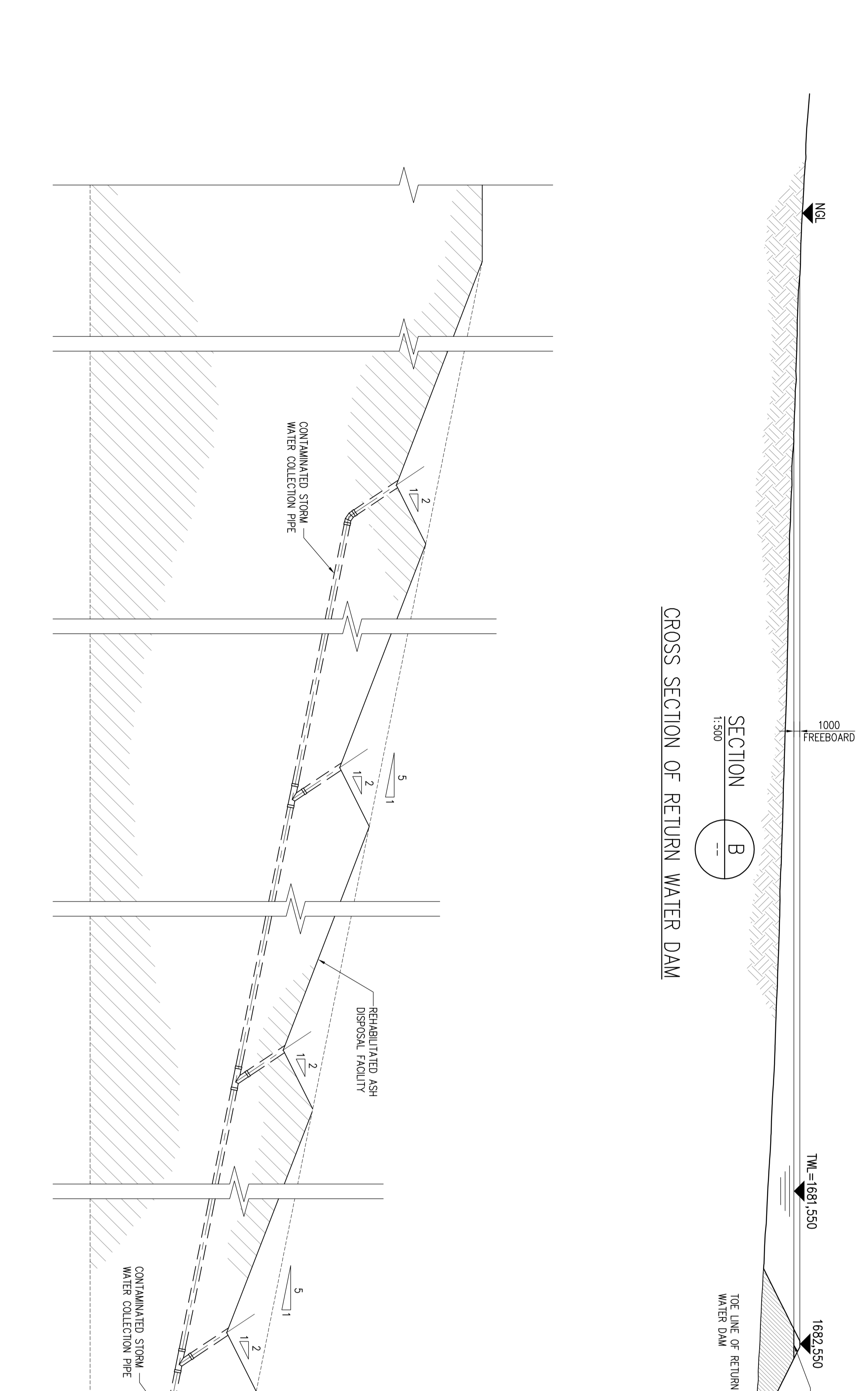


TYPICAL SECTION THROUGH
POLUTION CONTROL DAM LINER SYSTEM
CLASS C LANDFILL SPECIFICATION
1:20

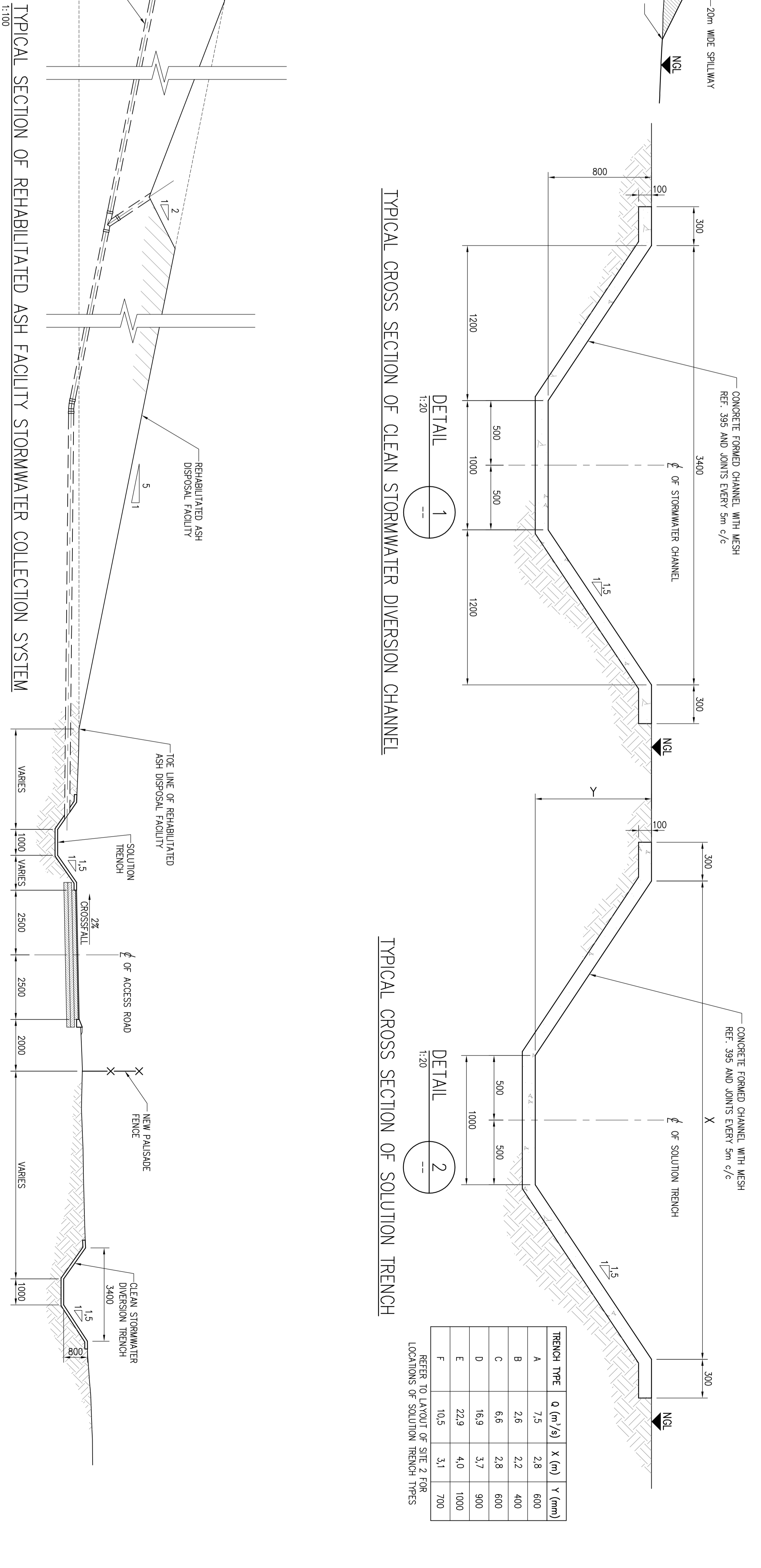
ASH FACILITY LINER
CLASS C LANDFILL SPECIFICATION
1:20



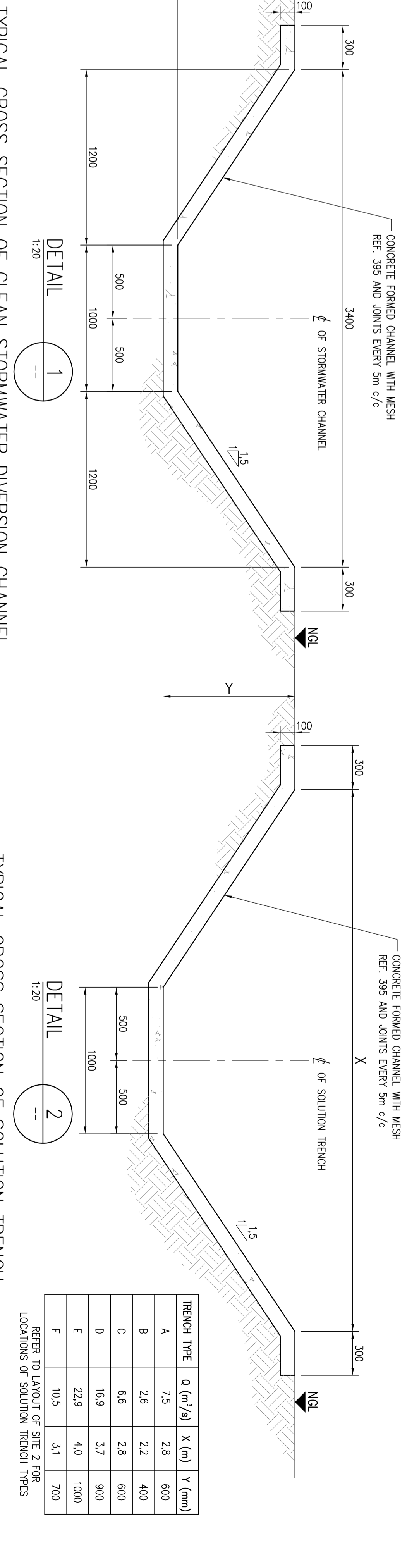
SECTION A
1:100



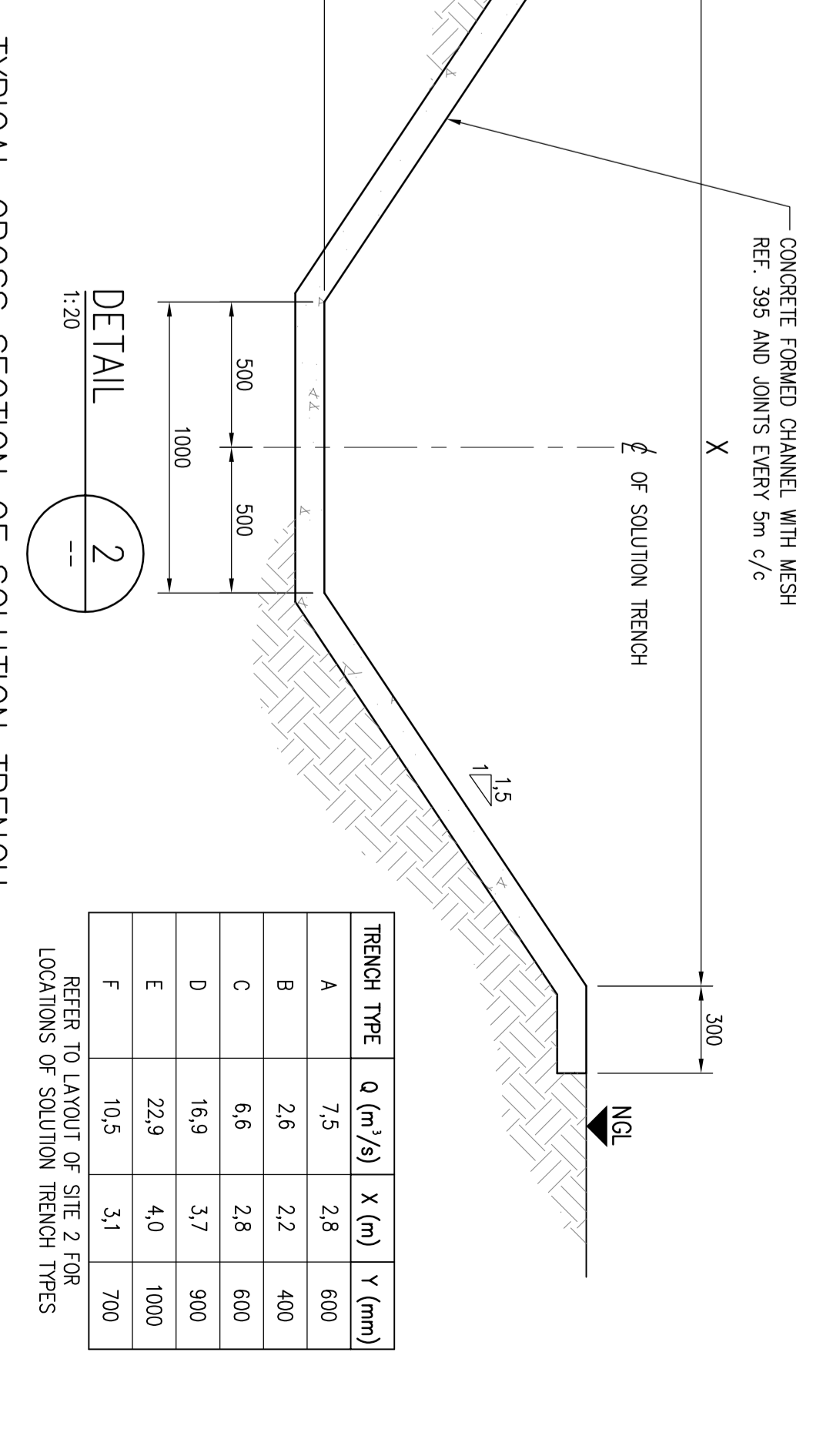
SECTION B
1:500
CROSS SECTION OF RETURN WATER DAM



TYPICAL SECTION OF REHABILITATED ASH FACILITY STORMWATER COLLECTION SYSTEM
1:100



TYPICAL CROSS SECTION OF CLEAN STORMWATER DIVERSION CHANNEL
1:20



TYPICAL CROSS SECTION OF SOLUTION TRENCH
1:20

TRENCH TYPE	Q (m ³ /s)	X (m)	Y (mm)
A	7.5	2.8	400
B	2.6	2.2	400
C	6.6	2.8	600
D	16.9	3.7	800
E	22.9	4.0	1000
F	10.5	3.1	700

REFER TO LAYOUT OF SITE 2 FOR LOCATIONS OF SOLUTION TRENCH TYPES

REVISION	DESCRIPTION	CHECKED	APPROVED	INTS DATE	INTS DATE	REF. NO.	DESCRIPTION	REFERENCES
1								
2								
3								
4								
5								
6								
7								
8								
9								
10								
11								
12								

INFORMATION CONTAINED ON THIS DRAWING IS THE COPYRIGHT OF ZITHOLE CONSULTING PTY. LTD. UNAUTHORISED USE OR REPRODUCTION OF THIS PLAN EITHER WHOLLY OR IN PART WITHOUT WRITTEN PERMISSION INFRINGES COPYRIGHT.

ZITHOLE CONSULTING PTY. LTD.

CLIENT	DATE	DRAWING CHECK	DATE	DRAWING CHECK	DATE	DRAWING CHECK
ESKOM	29/02/2012	NR	29/02/2012	NR	29/02/2012	NR
DISIGNED	29/02/2012	NR	29/02/2012	NR	29/02/2012	NR
AUTHORSHID	29/02/2012	NR	29/02/2012	NR	29/02/2012	NR

PROJECT	DRAWING NO.	REVISION
EIA FOR CAMDEN POWER STATION ASH DISPOSAL FACILITY	12670	P01
SITE 2	12670-03-002	
SOLUTION AND STORMWATER TRENCHES		
SECTIONS AND DETAILS		