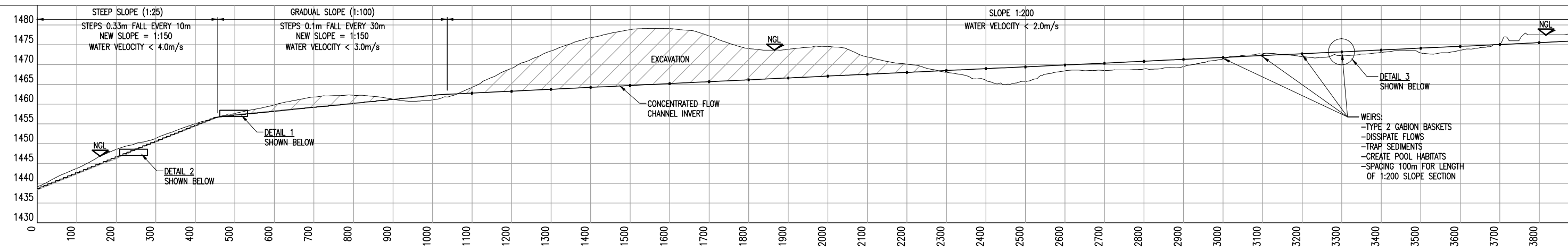
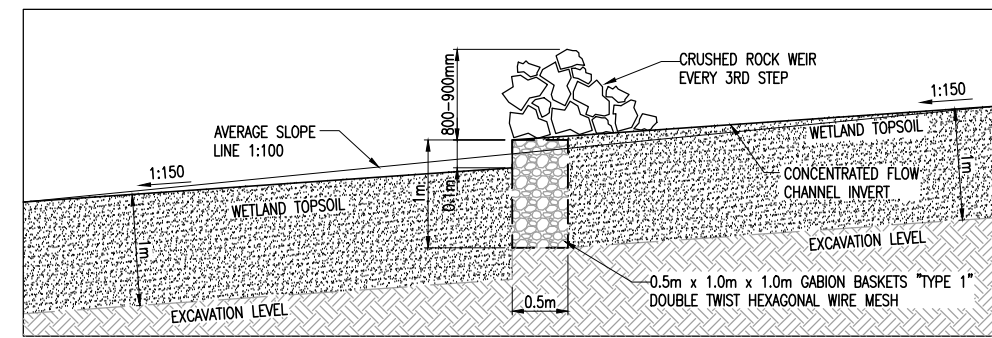


RIVER DIVERSION PLAN
1:5000

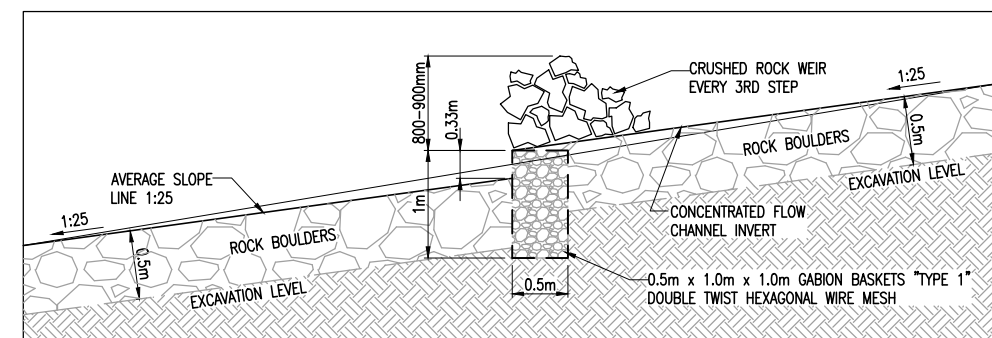
DELIMITED WETLAND



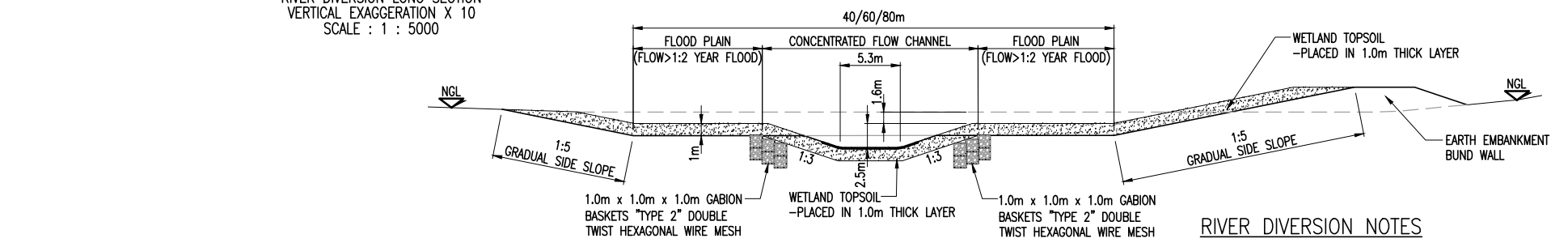
RIVER DIVERSION LONG SECTION
VERTICAL EXAGGERATION X 10
SCALE 1:1:5000



DETAIL 1
NOT TO SCALE



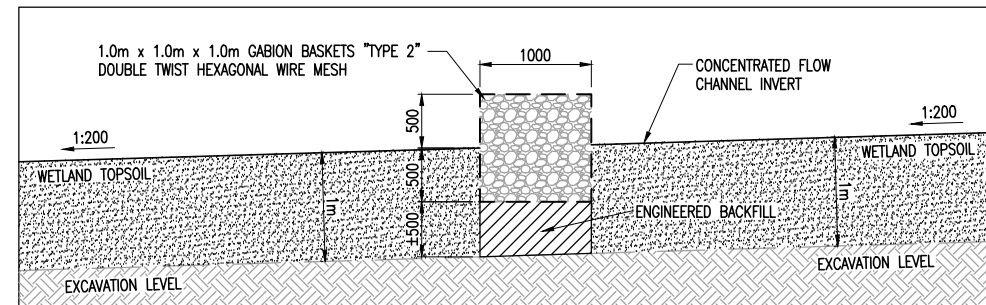
DETAIL 2
NOT TO SCALE



TYPICAL CROSS SECTION
1:250

RIVER DIVERSION NOTES

- FLOOD PLAN TO BE LANDSCAPED TO REMOVE ALL OBSTACLES AND RUTS THAT COULD FORM PREFERENTIAL FLOW PATHS
- SIDE SLOPES TO BE SEEDED WITH SUITABLE MIX OF INDIGENOUS HIGHVELD GRASSES
- WETLAND TOPSOIL ON SIDE SLOPES TO BE ASSESSED FOR SUITABILITY FOR ESTABLISHMENT OF HIGHVELD GRASSES
- FLOOD PLAN SIZED FOR A 1:50YEAR STORM EVENT



DETAIL 3
NOT TO SCALE

Rev.	Description	Name	Date	Approved
C	REVISED & ADDED STILLING BASINS, REVISED ACCESS ROADS, UPDATED TITLE BLOCK	R.McL.	03.04.14	C.C.
B	REVISED SECTIONS AND DETAILS	R.McL.	25.03.14	C.C.
A	ISSUED FOR COMMENT	R.McL.	05.03.14	C.C.

FOR DRAWING LIST SEE: D121-01-001

Jones & Wagener
Engineering & Environmental Consultants

Box 1434 Rivonia 2128 South Africa
Tel. (011) 519-0200
Fax. (011) 519-0201
Email post@jaws.co.za

Client	ZITHOLELE CONSULTING	Scale	AS SHOWN	A1
Project	KUSILE POWER STATION 60 YEAR ASH FACILITY EIA DETAILED CONCEPT DESIGN KLIPFONTEIN RIVER DIVERSION, LAYOUT & DETAILS	Drawing No	D121-01-015	
Drawn	R.McL.	05.03.14		
Designed	C.C.	MAR 14		
Checked	D.B.	MAR 14		
Pr. Eng. Approval	C.C.			
Signature				
Revision	C			