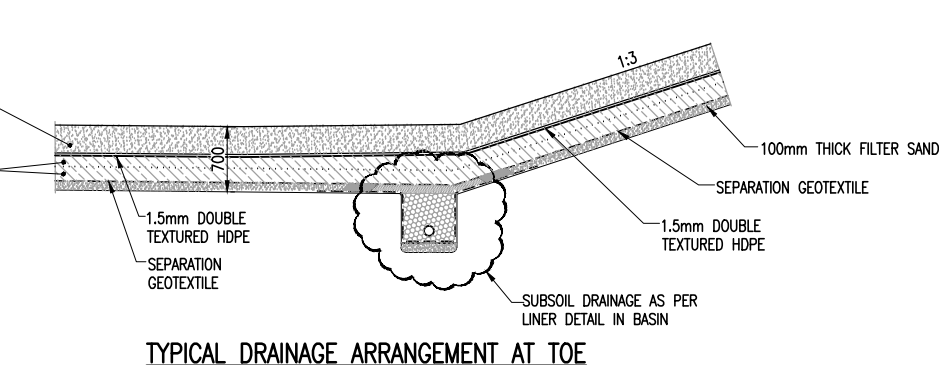
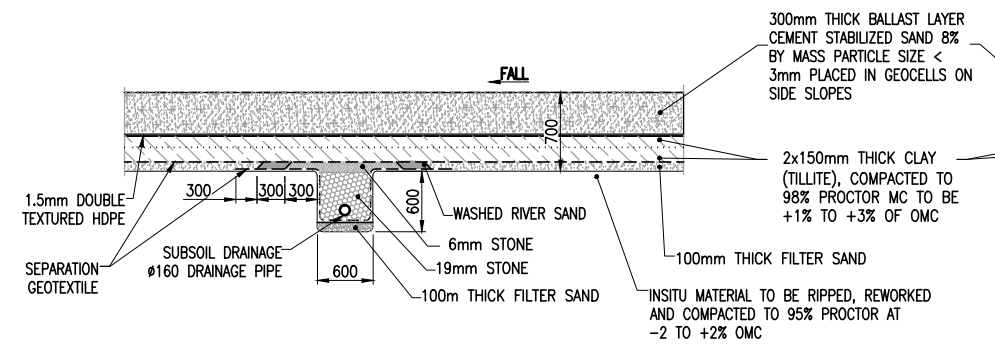


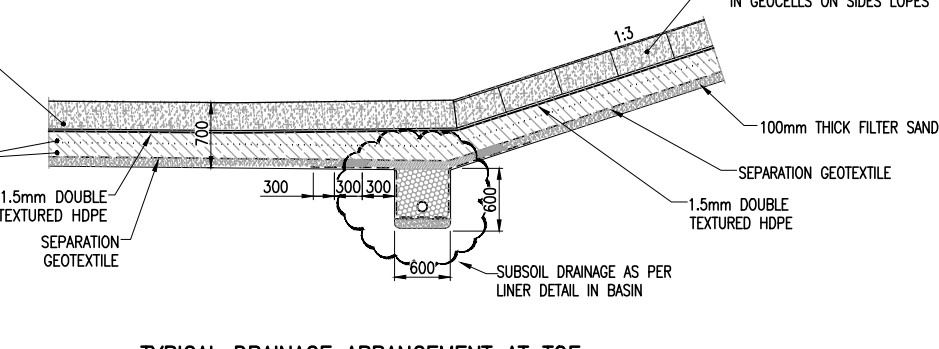
**ASH FACILITY LINER  
CLASS C LANDFILL SPECIFICATION**  
SCALE 1 : 40



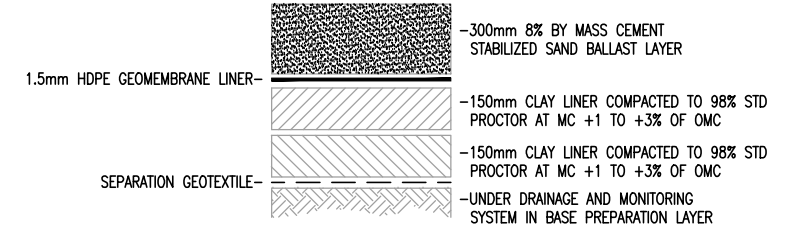
**TYPICAL DRAINAGE ARRANGEMENT AT TOE  
AND TYPICAL LINER DETAIL AT SIDE SLOPE**  
SCALE 1 : 40



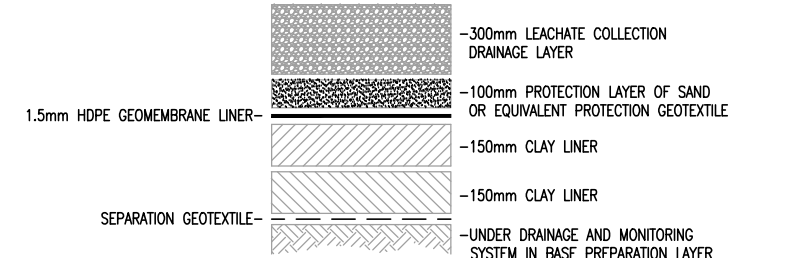
**PCD LINER  
CLASS C LANDFILL SPECIFICATION**  
SCALE 1 : 40



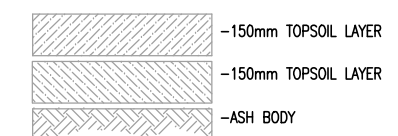
**TYPICAL DRAINAGE ARRANGEMENT AT TOE  
AND TYPICAL LINER DETAIL AT SIDE SLOPE**  
SCALE 1 : 40



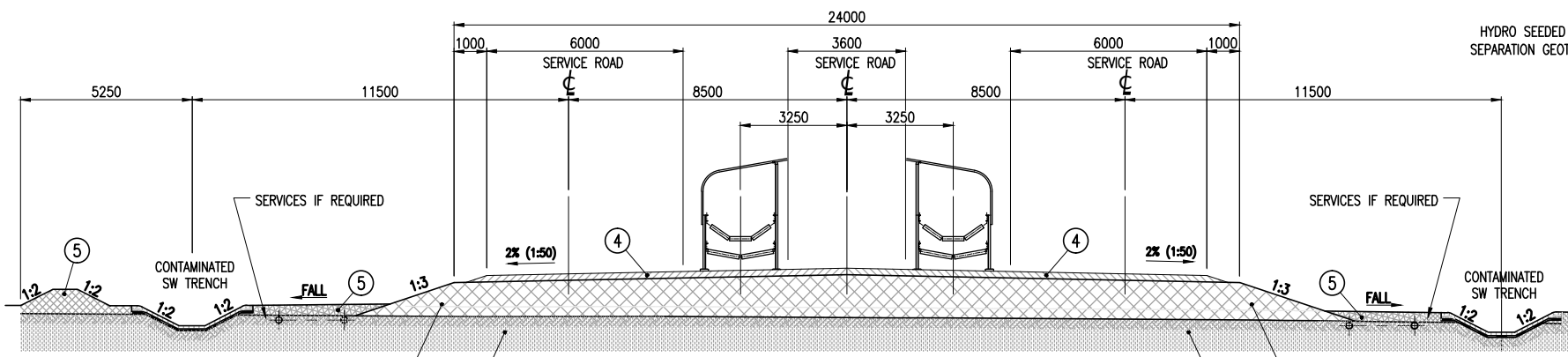
**NORMS & STANDARDS (2013) POLLUTION CONTROL  
DAM LINER CLASS C LANDFILL SPECIFICATION**  
NOT TO SCALE



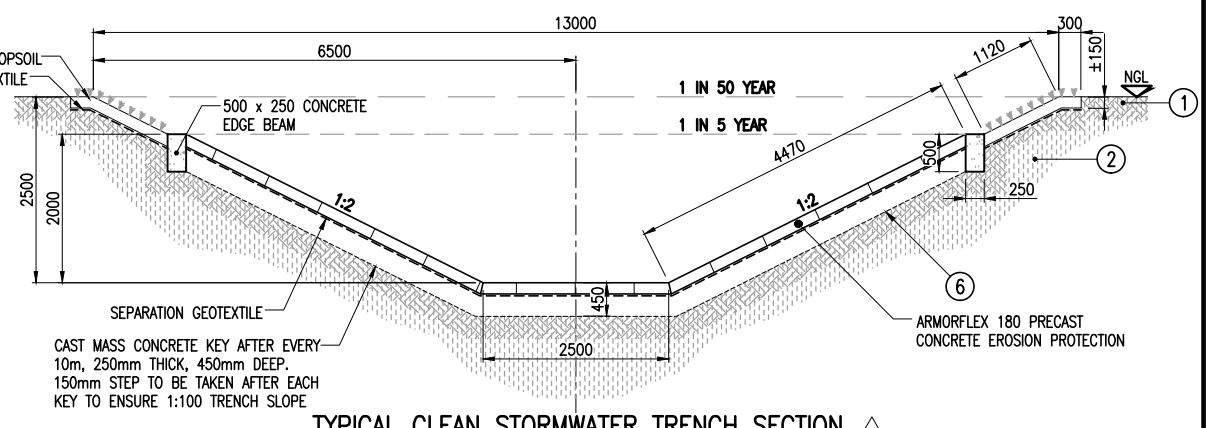
**NORMS & STANDARDS (2013) ASH FACILITY  
LINER CLASS C LANDFILL SPECIFICATION**  
NOT TO SCALE



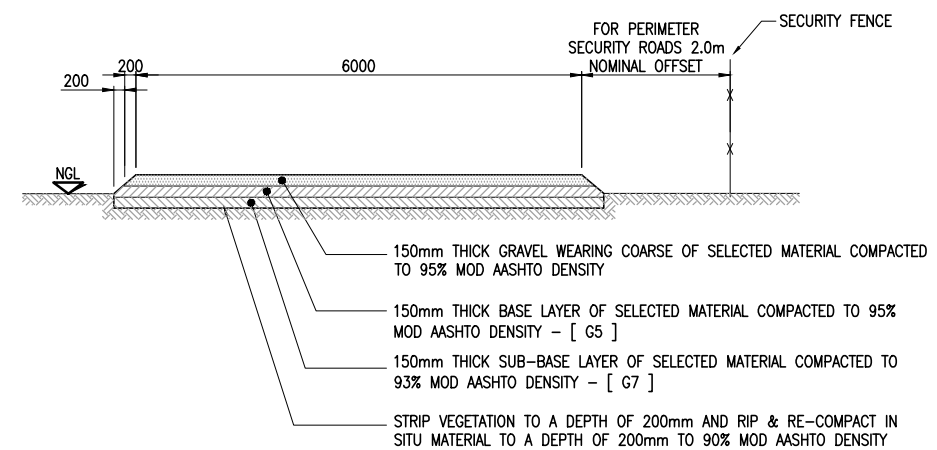
**TYPICAL REHABILITATION DETAILS**  
NOT TO SCALE



**TYPICAL OVERLAND CONVEYOR SECTION**  
SCALE 1 : 10

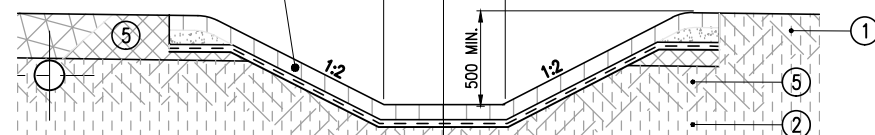


**TYPICAL CLEAN STORMWATER TRENCH SECTION**  
SCALE 1 : 50



**TYPICAL ROAD CROSS SECTION**  
SCALE 1:50

**EROSION PROTECTION**  
- 100mm GEOCELLS  
- ON PROTECTION GEOTEXTILE, 1000g/m2  
- ON 1.5mm SMOOTH HDPE LINER  
- INFILLED WITH 15MPa CONCRETE OR SOIL CRETE STABILISED WITH 8% CEMENT BY MASS DEPENDING ON APPLICATION



**TYPICAL CONTAMINATED STORMWATER TRENCH SECTION**  
SCALE 1 : 25

- EARTHWORKS LEGEND**
- ① - REMOVE 300mm TOPSOIL TO STOCKPILE
  - ② - RIP AND RECOMPACT TO 93% MOD AASHTO AT MC -2 TO +2% OF OMC
  - ③ - FILL MADE OF G7 MATERIAL COMPACTED IN 200mm LAYERS TO 95% MOD AASHTO AT MC -2 TO +2% OF OMC
  - ④ - WEARING COURSE 200mm LAYER OF G5 MATERIAL COMPACTED TO 95% MOD AASHTO MC -2 TO +2% OF OMC
  - ⑤ - BACKFILL G7 MATERIAL COMPACTED TO 95% MOD AASHTO MC -2 TO +2% OF OMC
  - ⑥ - EXCAVATE AND FILL TO LINES AND LEVELS INDICATED, FILL LAYERS TO BE COMPACTED TO 95% MOD AASHTO AT MC -2 TO +2% OF OMC

Rev.	Description	Name	Date	Approved
E	UPDATED TITLE BLOCK	R.McL.	28.03.14	C.C.
D	TYPICAL CLEAN STORMWATER TRENCH REVISED	R.McL.	13.01.14	C.C.
C	REVISED AND ADDED DETAILS	R.McL.	05.12.13	C.C.
B	ISSUED FOR INFORMATION	R.McL.	08.07.13	C.C.
A	ISSUED FOR DWA MEETING	R.McL.	08.07.13	C.C.

**Jones & Wagener**  
Engineering & Environmental Consultants  
Box 1434 Rivonia 2128 South Africa  
Tel. (011) 519-0200  
Fax. (011) 519-0201  
Email post@jaws.co.za

Client: ZITHOLELE CONSULTING  
Project: KUSILE POWER STATION  
60 YEAR ASH FACILITY  
EIA DETAILED CONCEPT DESIGN  
LINER AND OTHER MISCELLANEOUS DETAILS

Drawn	R.McL.	09.07.13
Designed	C.C.	JULY 13
Checked	D.B.	JULY 13
Pr. Eng. Approval	C.C.	
Signature		
Scale	AS SHOWN	A1
Drawing No	D121-01-005	
Revision	E	